



8x
3713, 11



3x
32002, 86



2x
56145, 86



2x



4x
43093, 7



19x
2780, 11



2x
60484, 86



3x
6558, 7



2x
42003, 11



2x
32073, 86



2x
44294, 86



2x
32523, 3



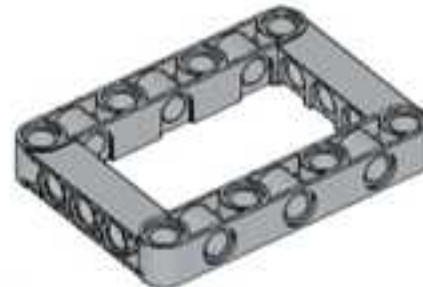
1x
99948, 9



2x
32192, 11



1x
92911, 86



3x
64179, 86



5x
32316, 3



2x
55978, 11



2x
55615, 86

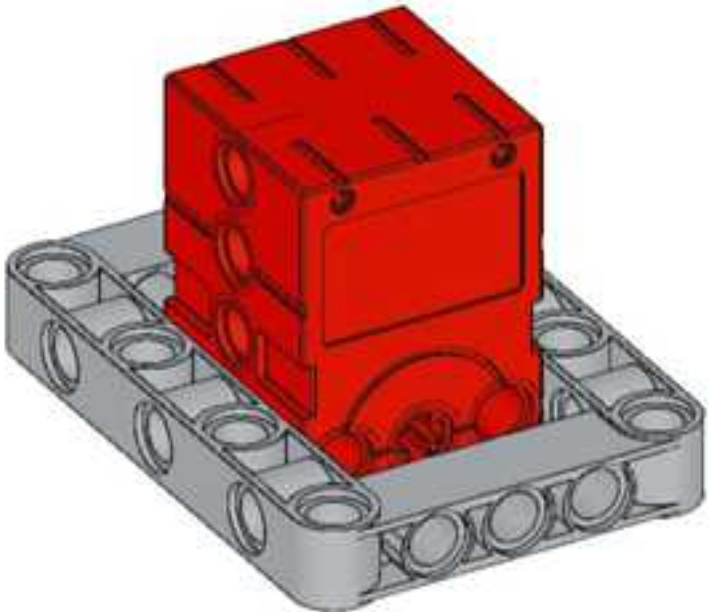
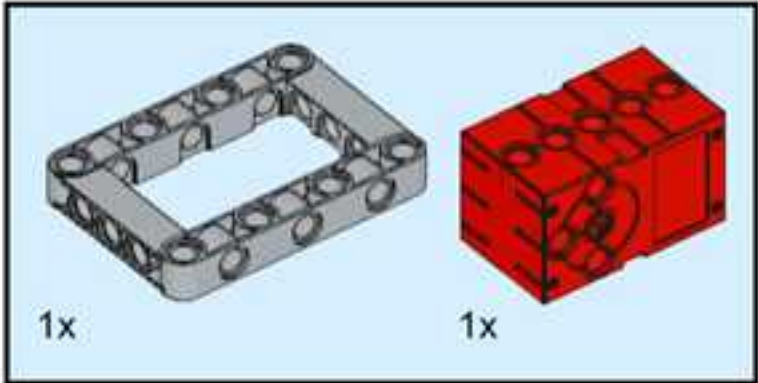


1x
14720, 1

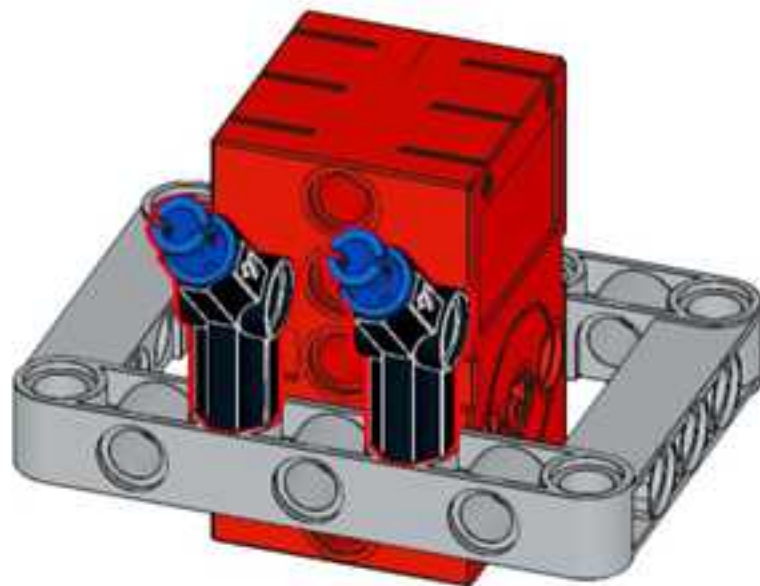


4x
32009, 3

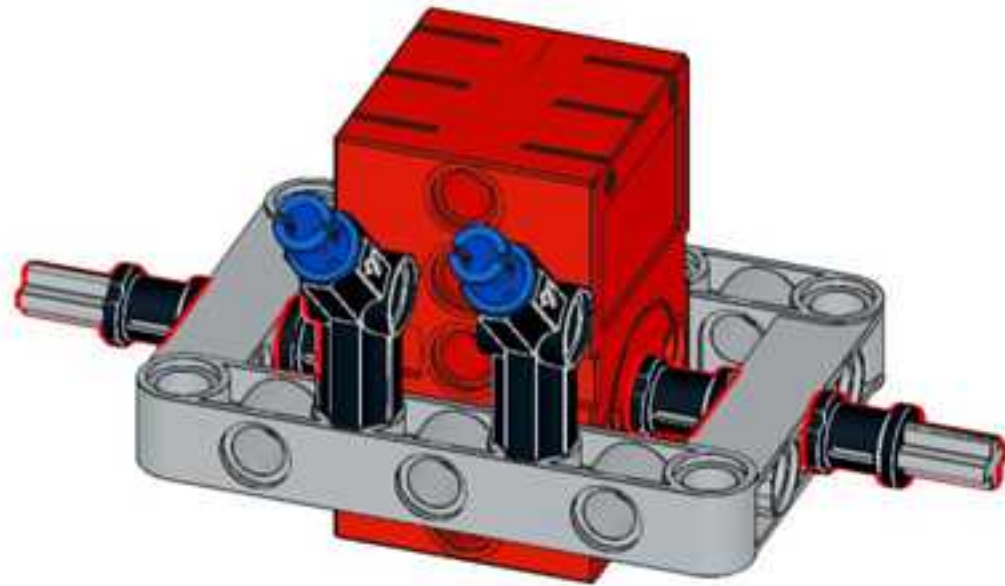
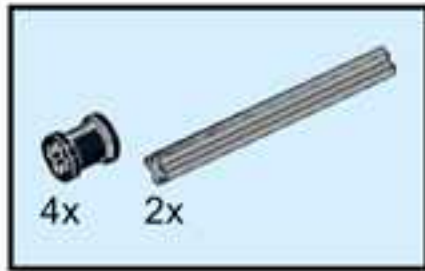
1



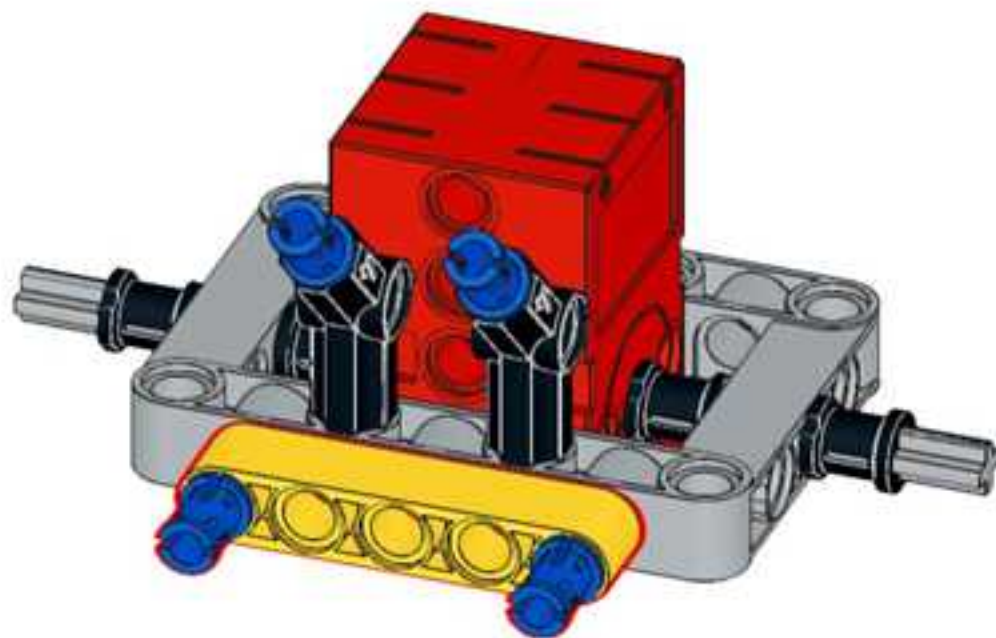
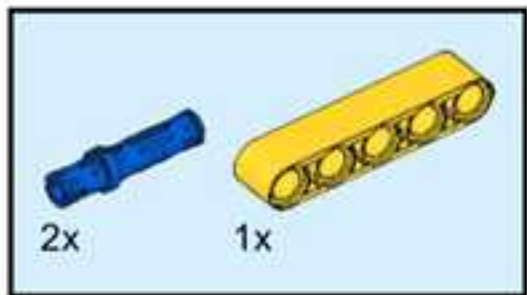
2



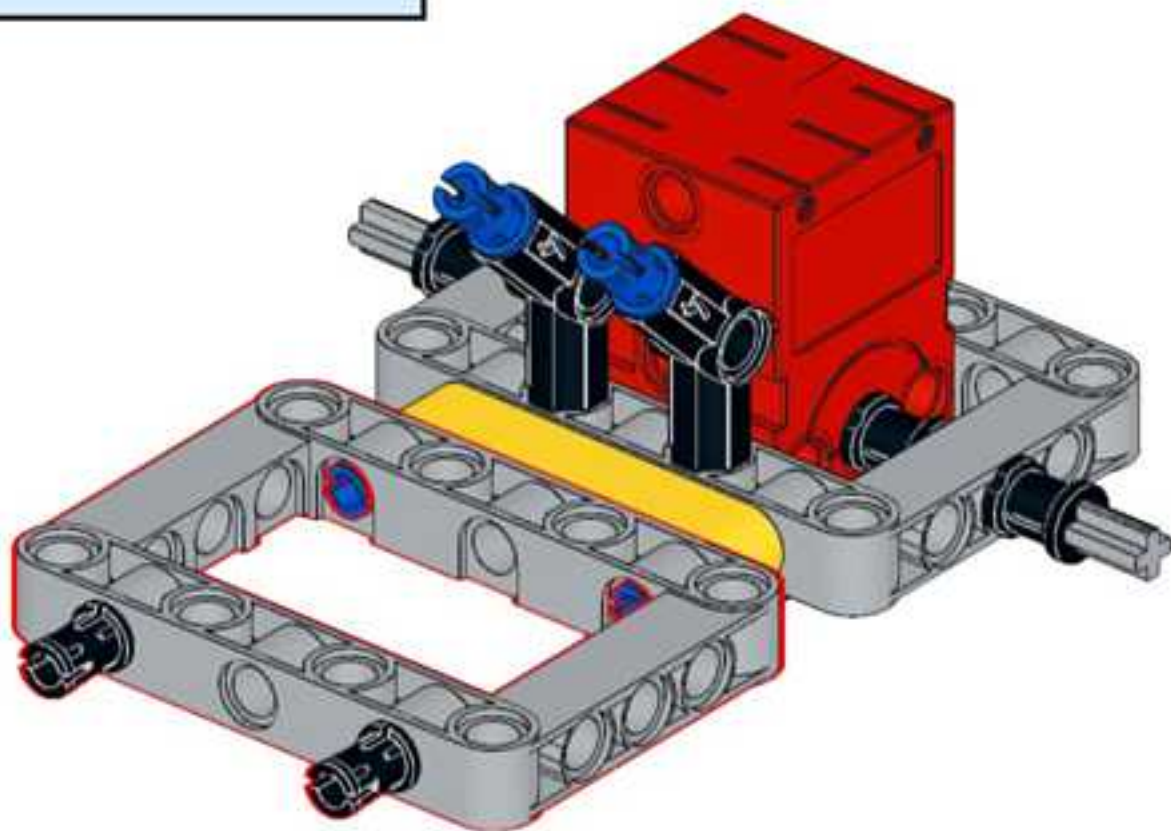
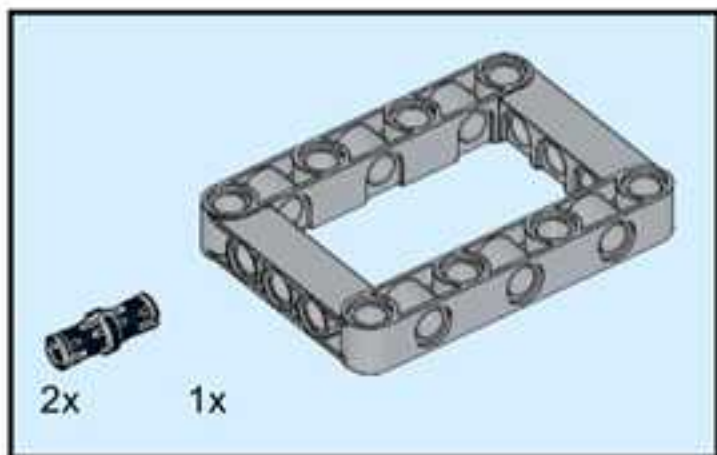
3



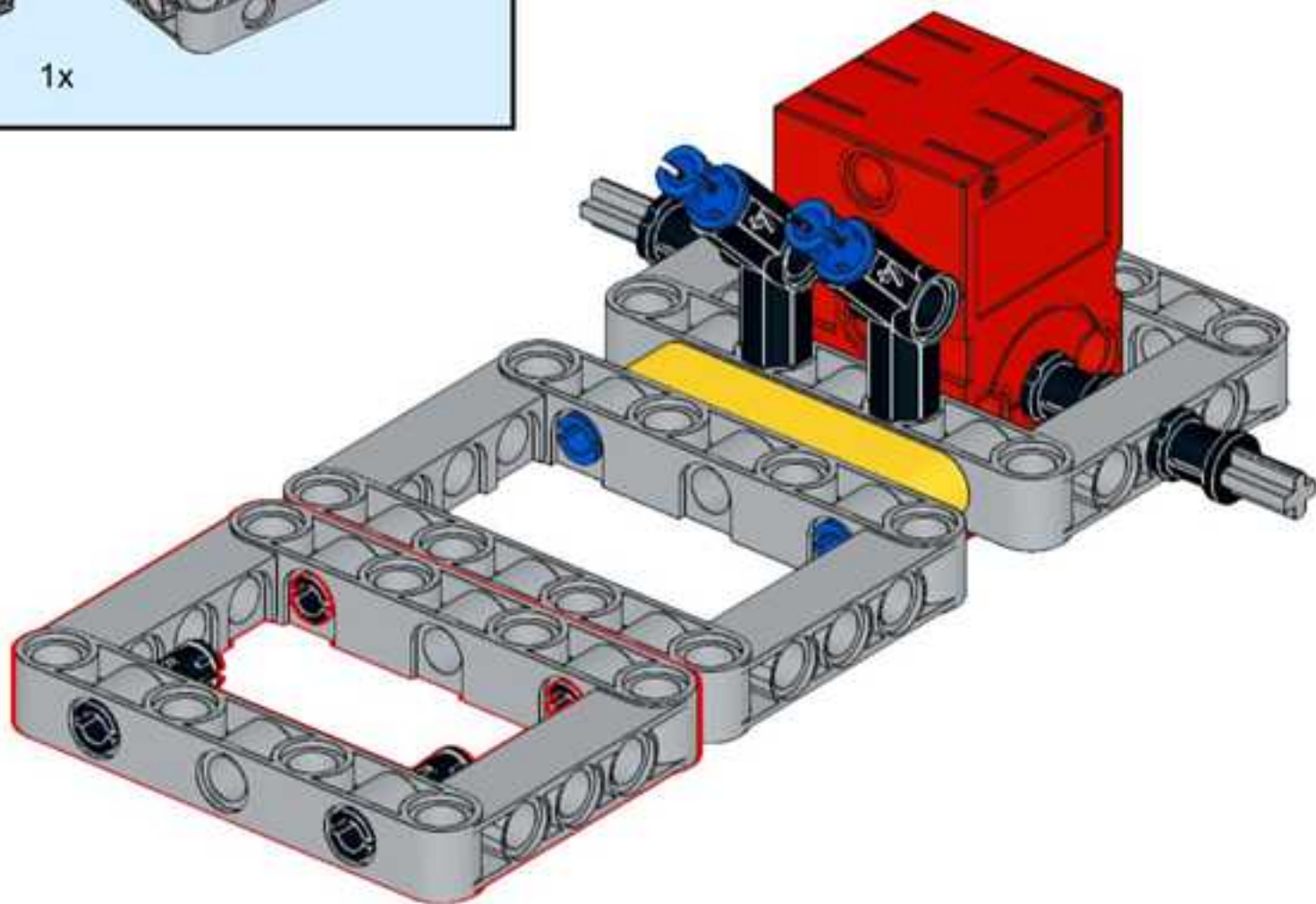
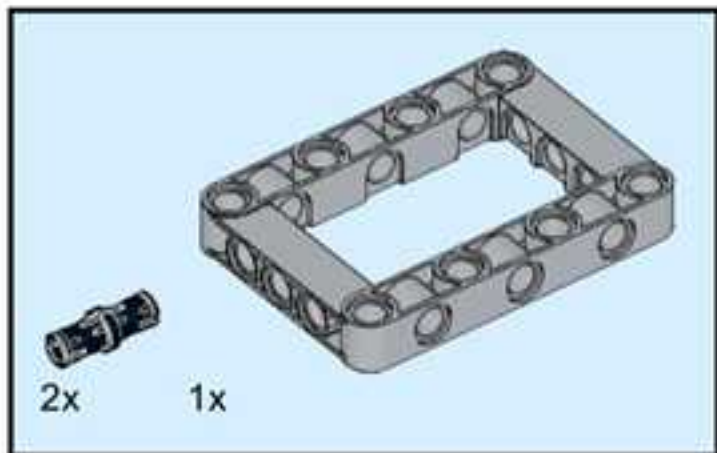
4



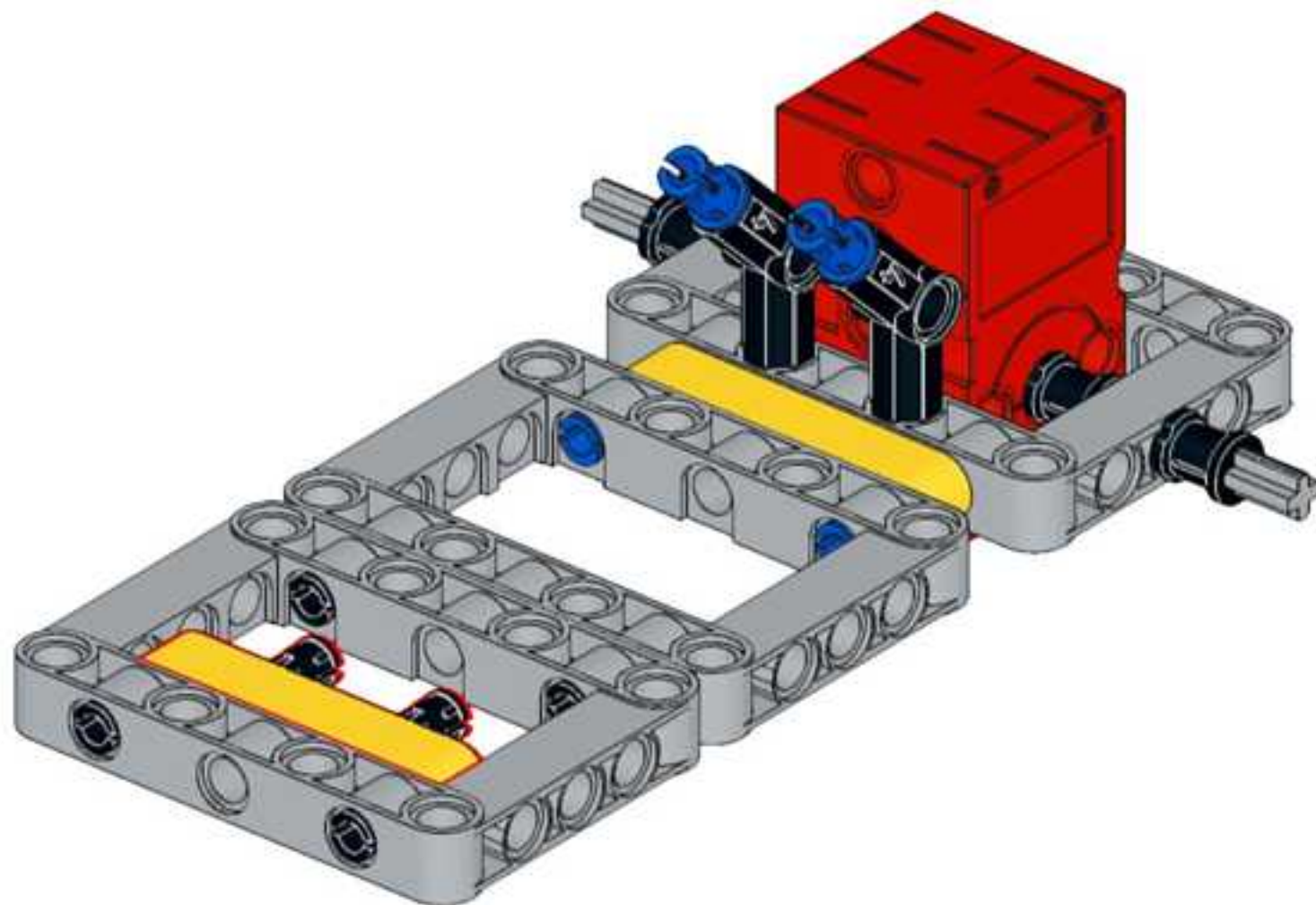
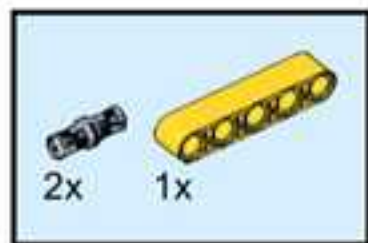
5



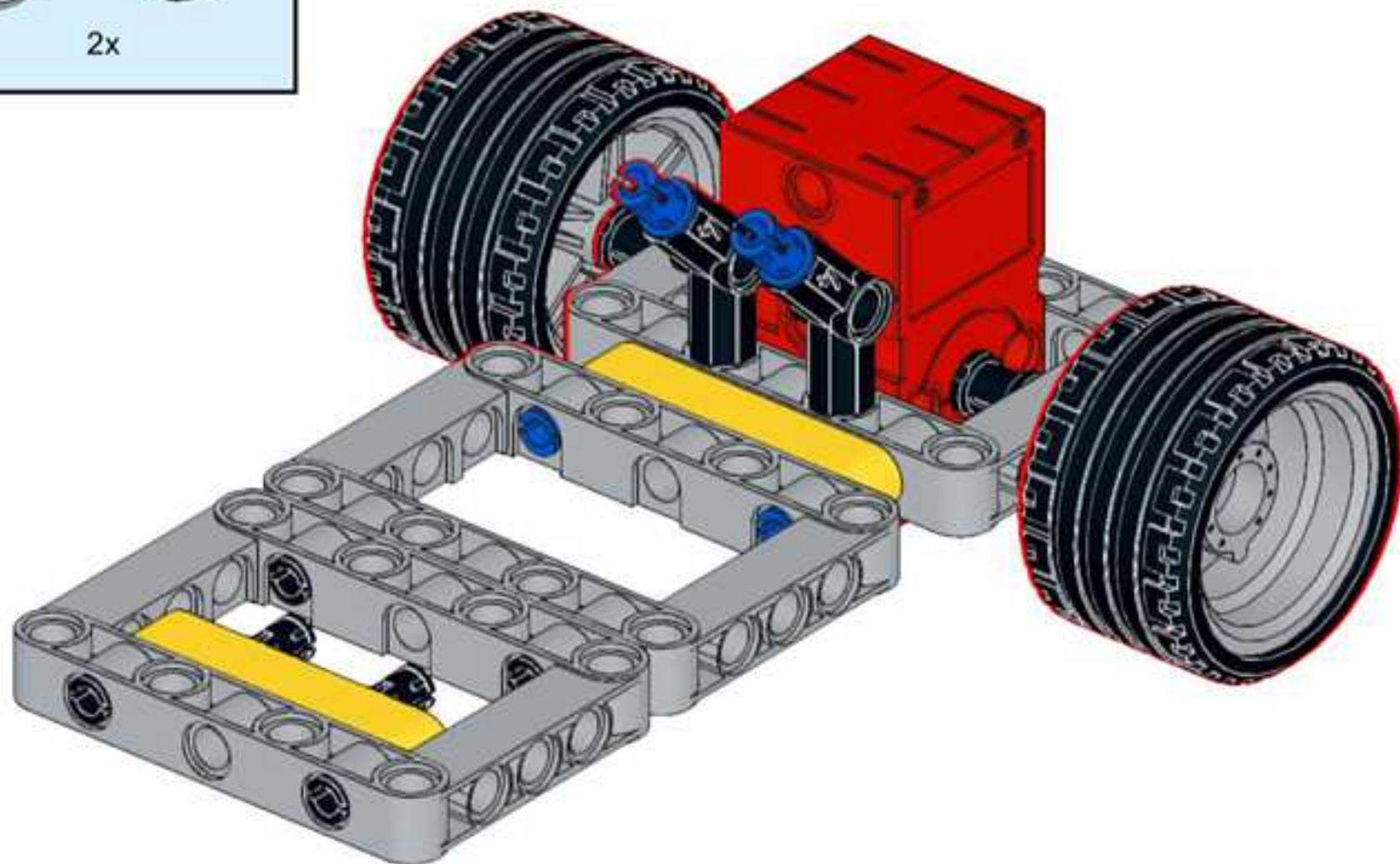
6



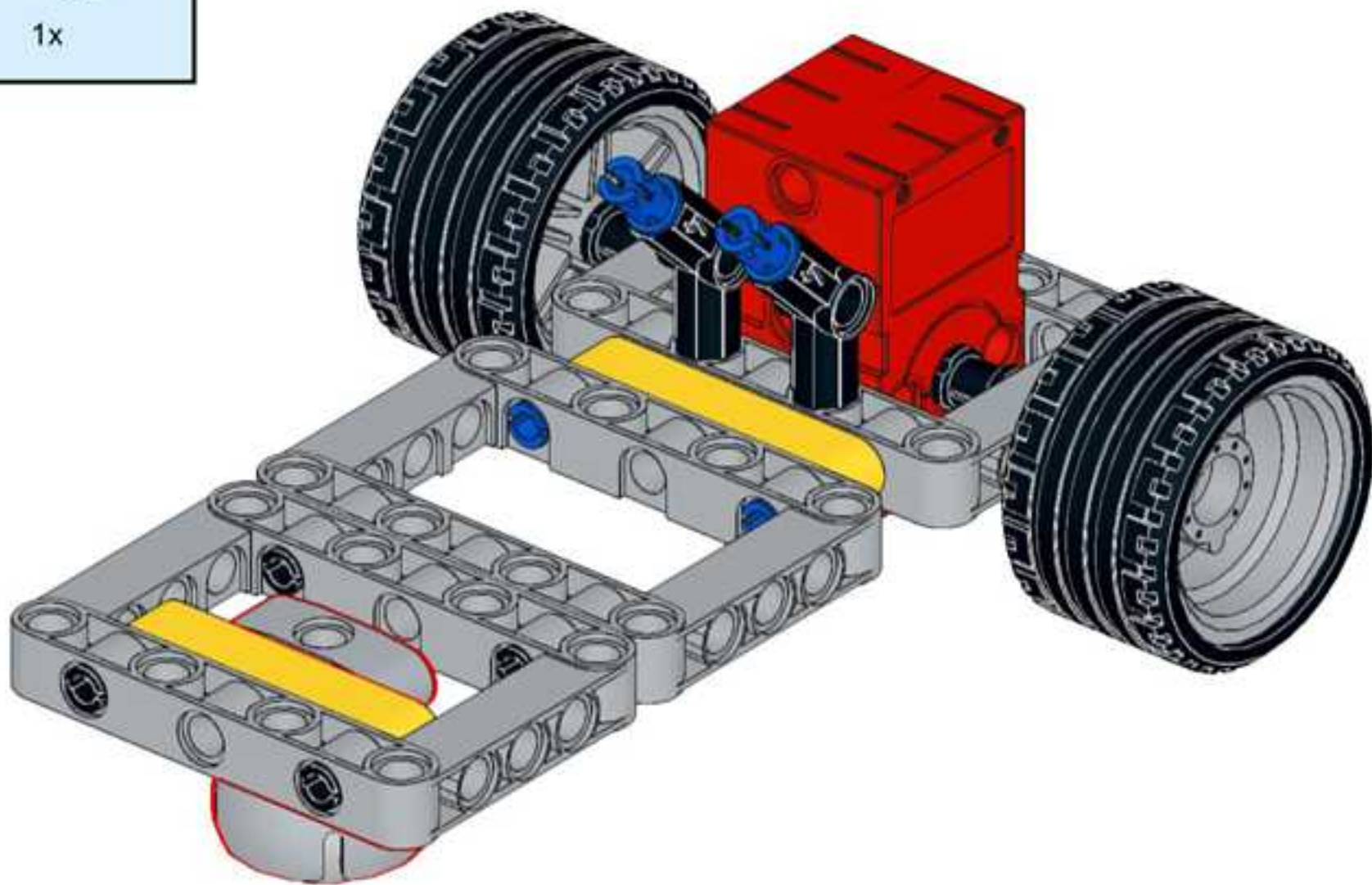
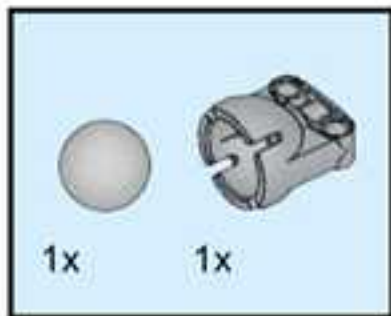
7



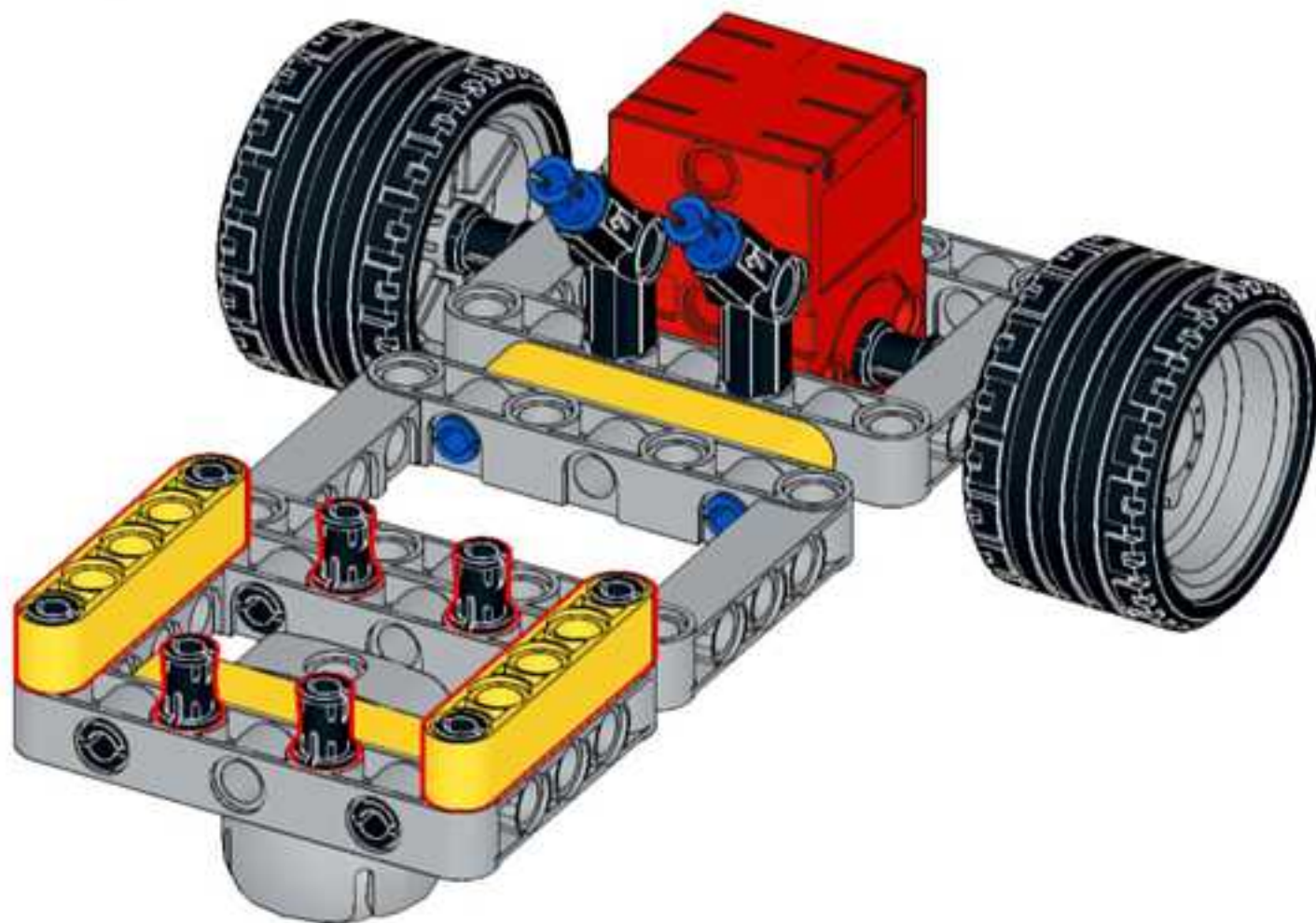
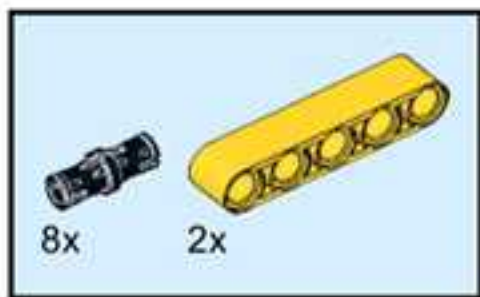
8



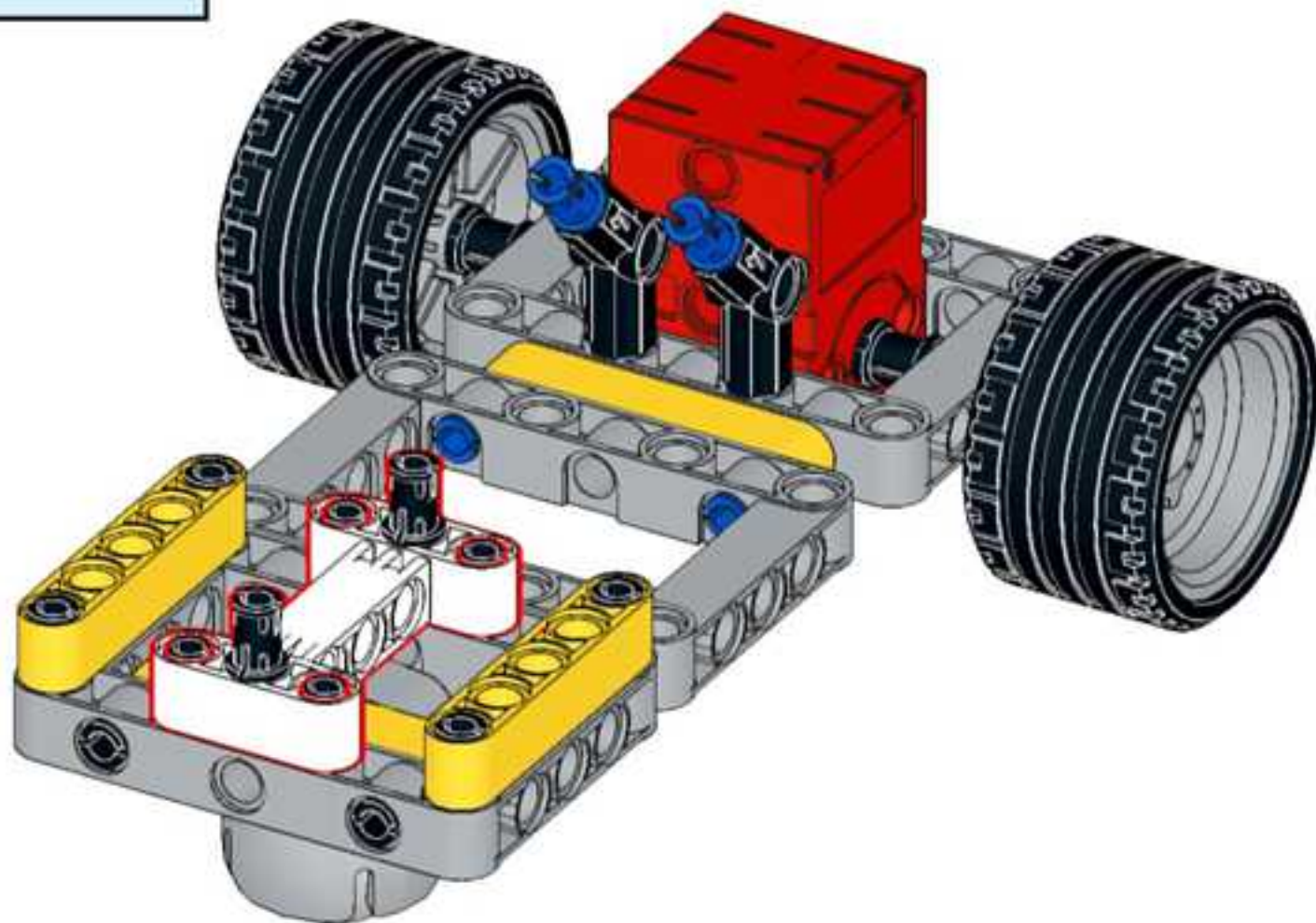
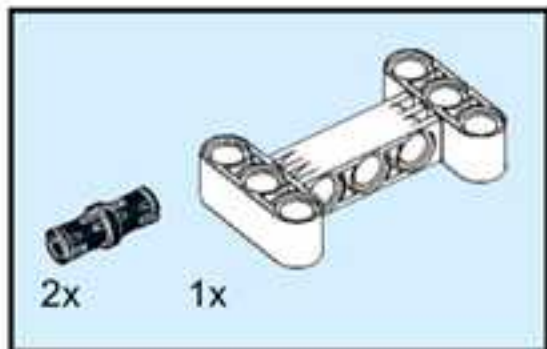
9



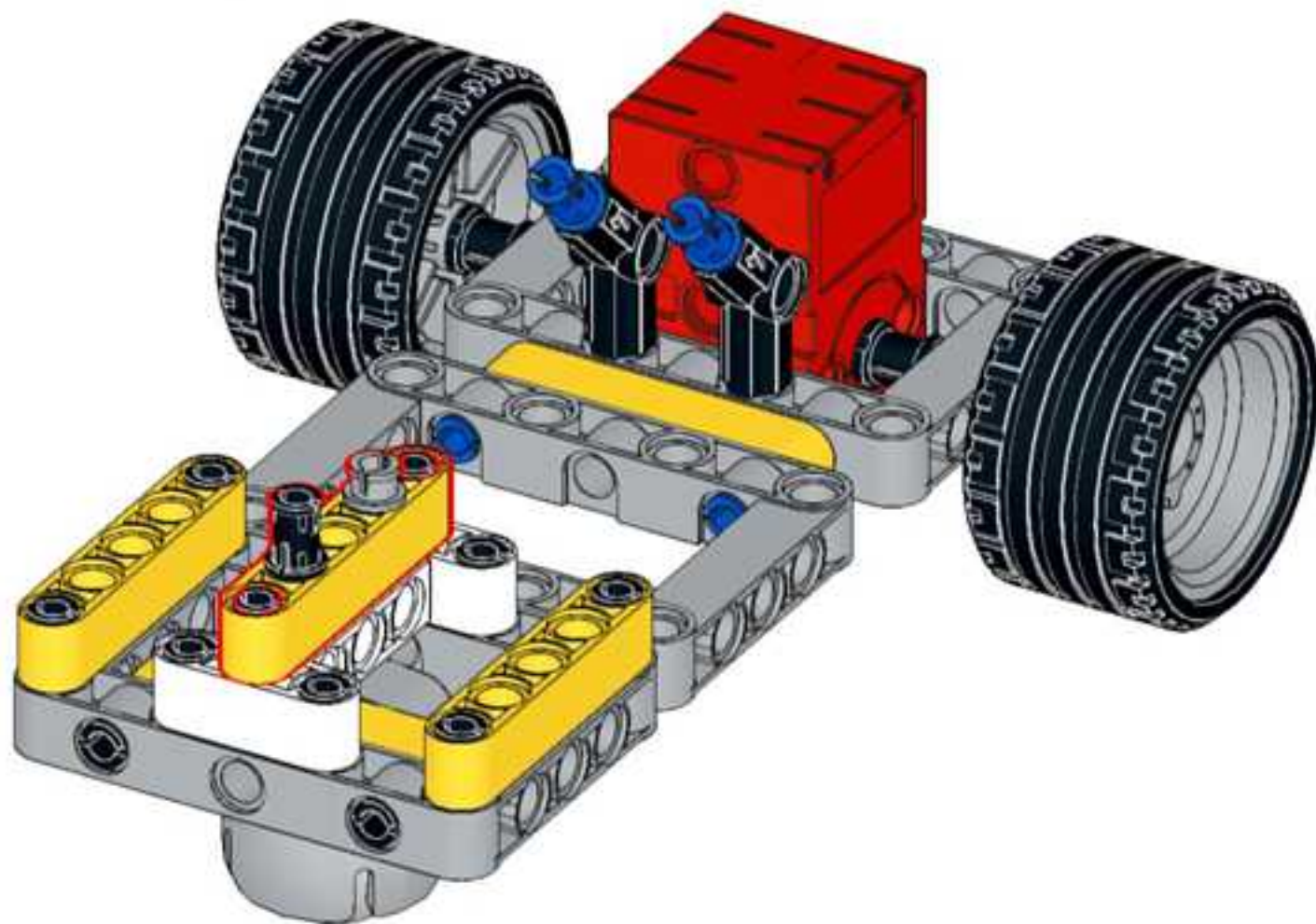
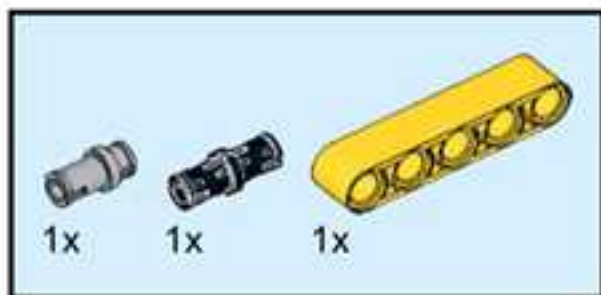
10



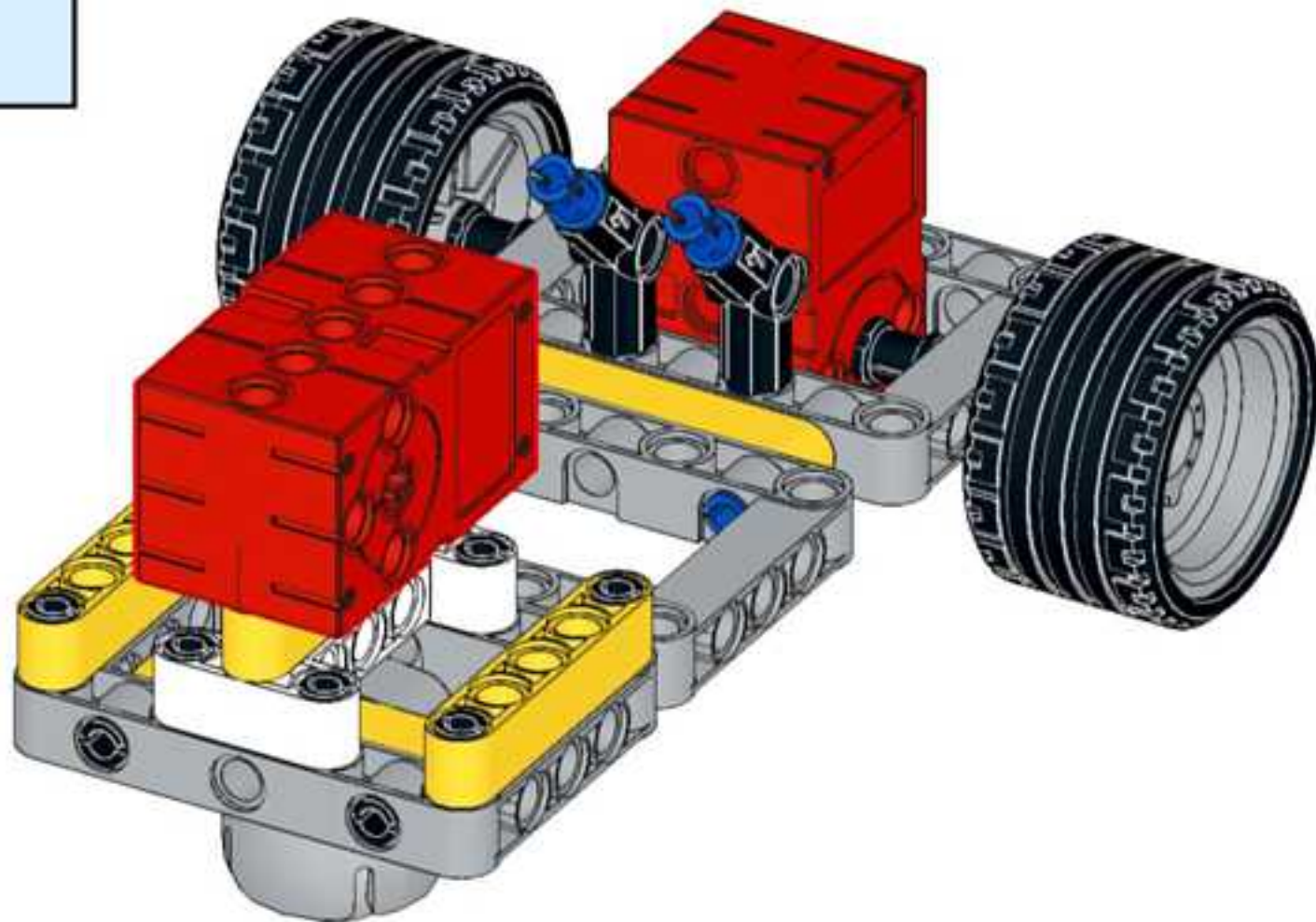
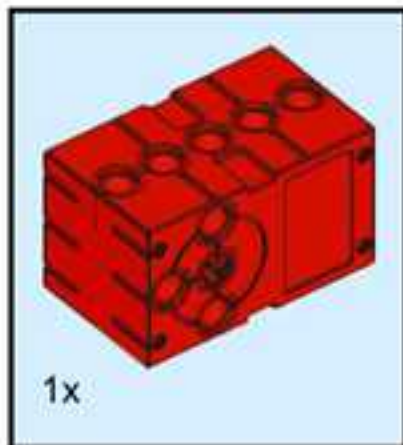
11



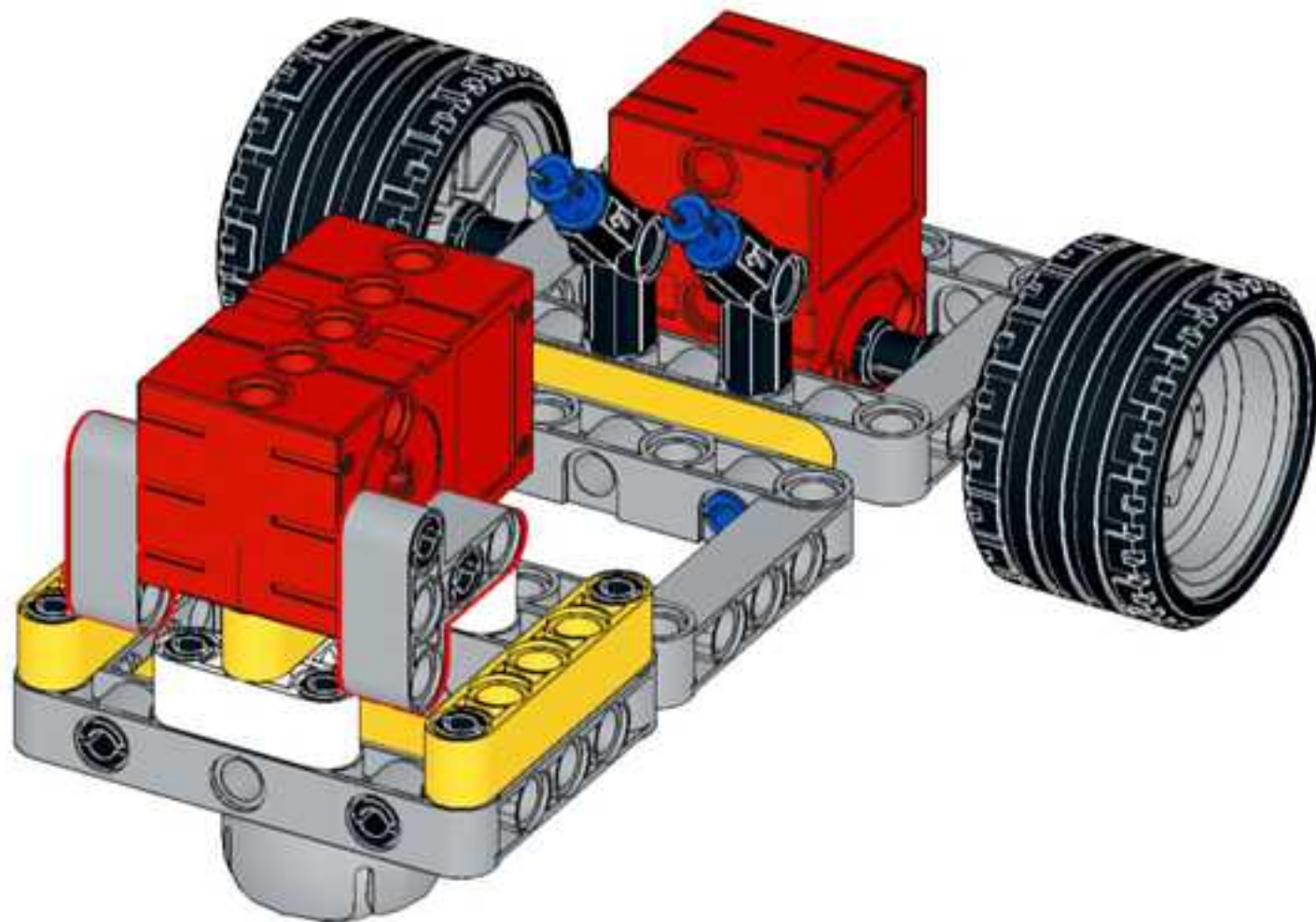
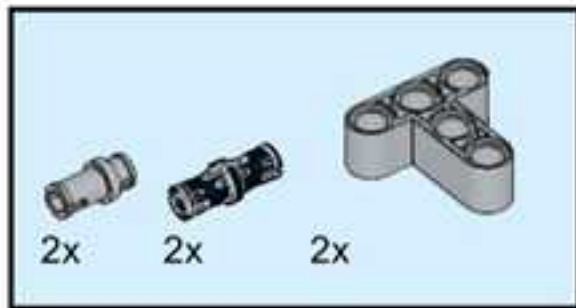
12



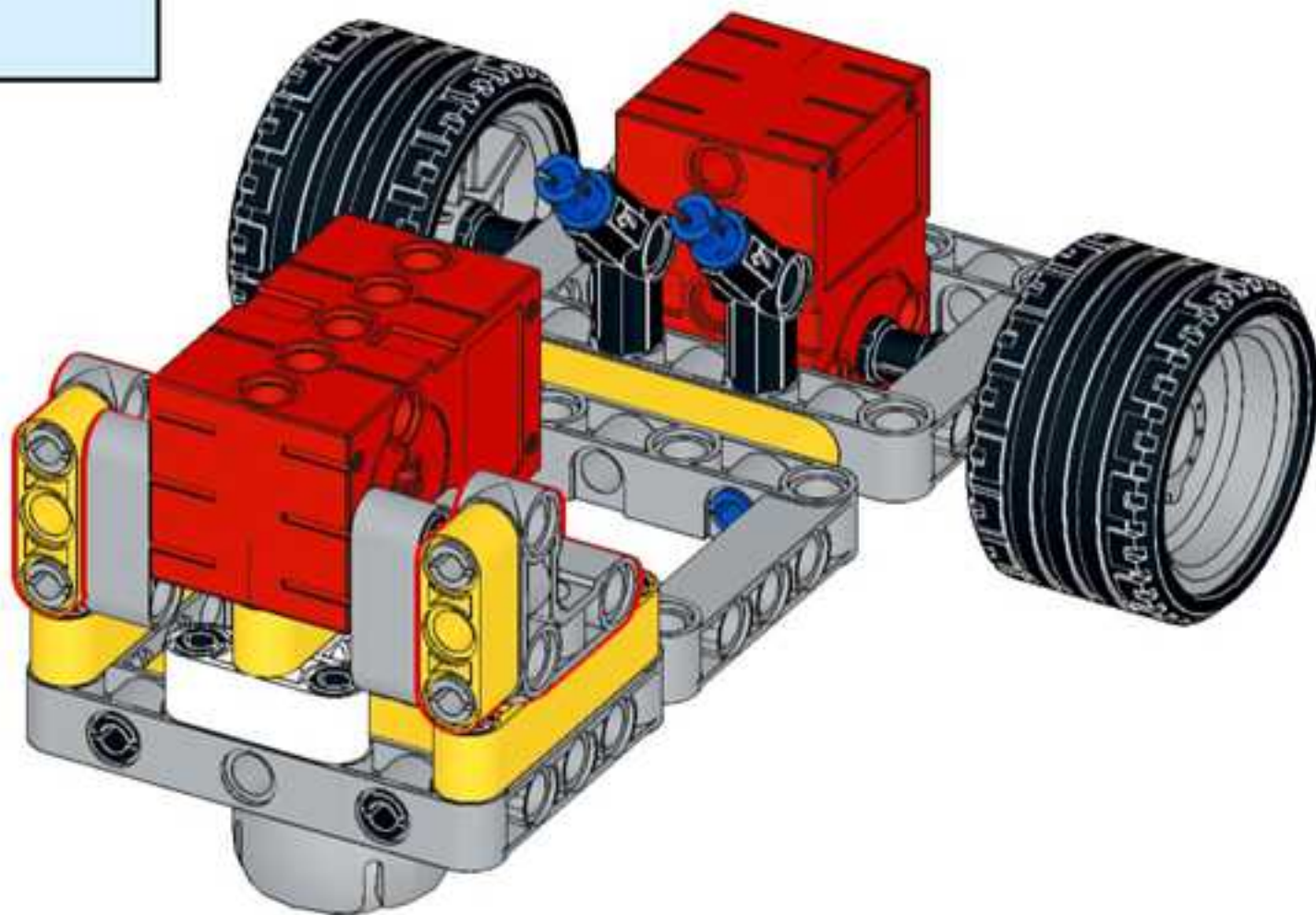
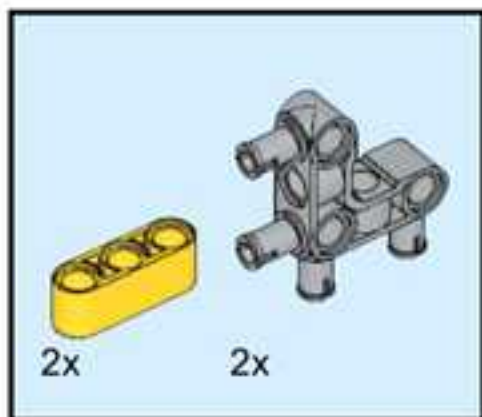
13



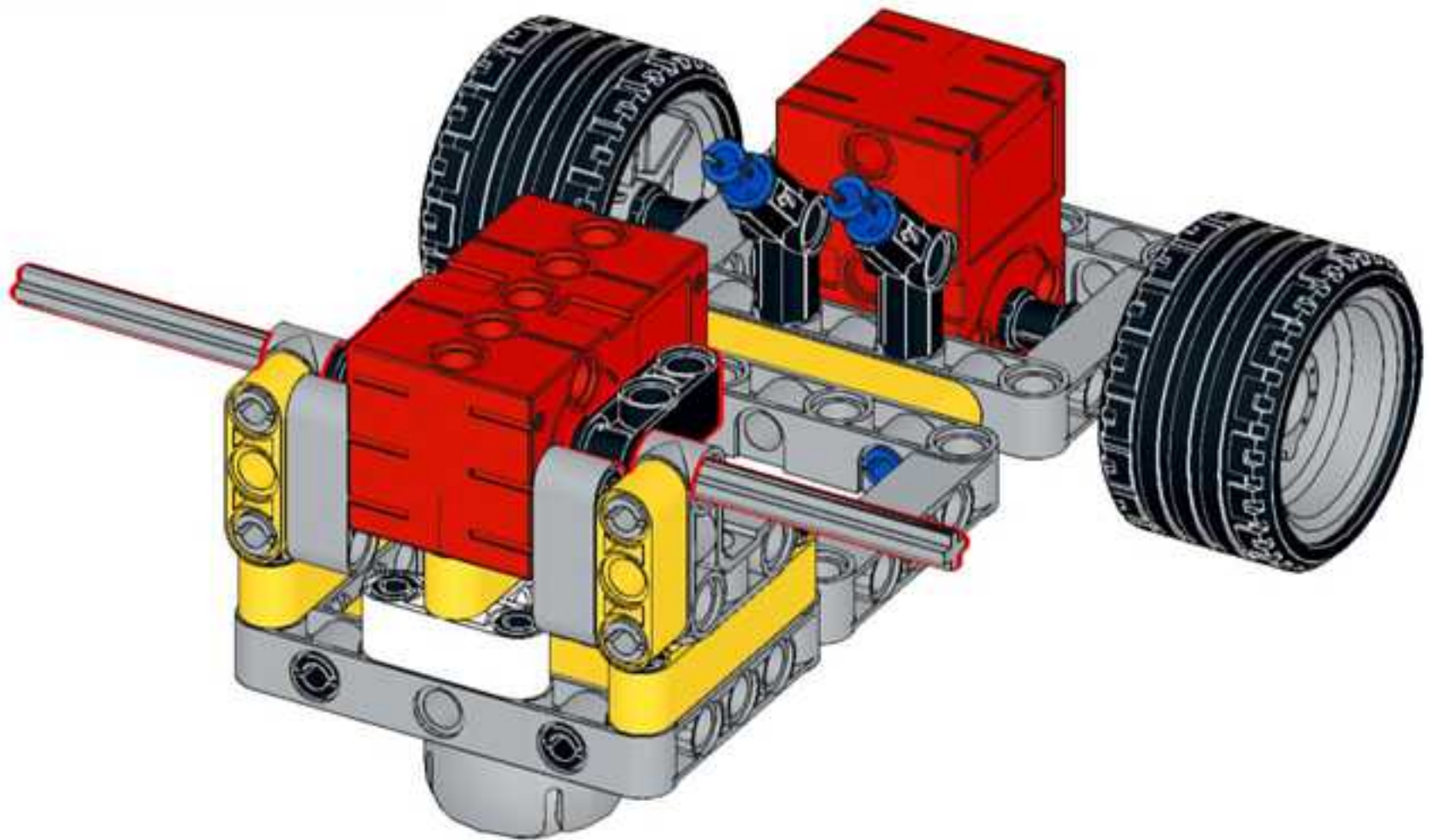
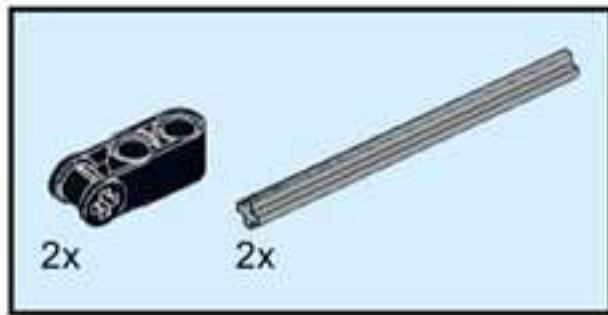
14



15



16



17

