

4x  
3713, 11

52x  
2780, 11

2x  
32270, 11

2x  
48989, 11

2x  
3708, 11

2x  
64781, 11

2x  
48989, 86

4x  
14720, 86

2x  
55615, 86

1x

6x  
64179, 86

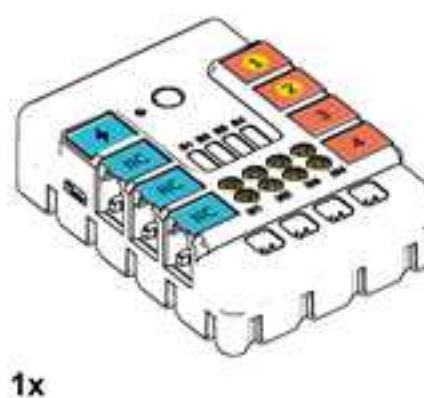
2x  
32017, 1

4x  
32316, 1

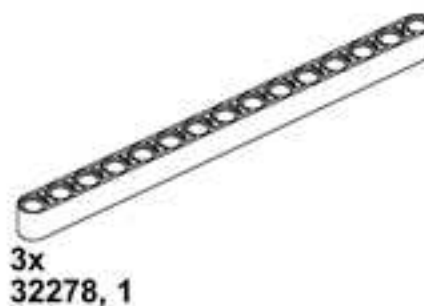
1x

1x

2x  
41239, 1



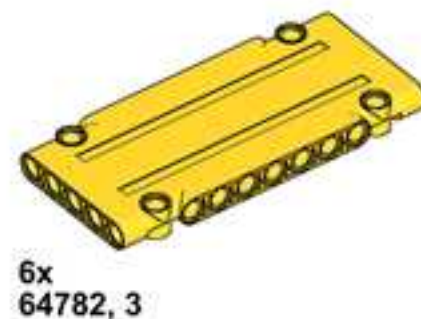
1x



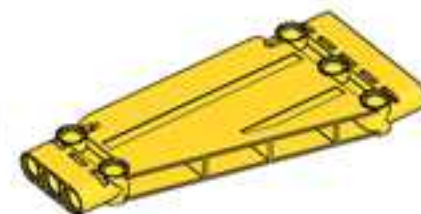
3x  
32278, 1



2x  
32009, 3



6x  
64782, 3

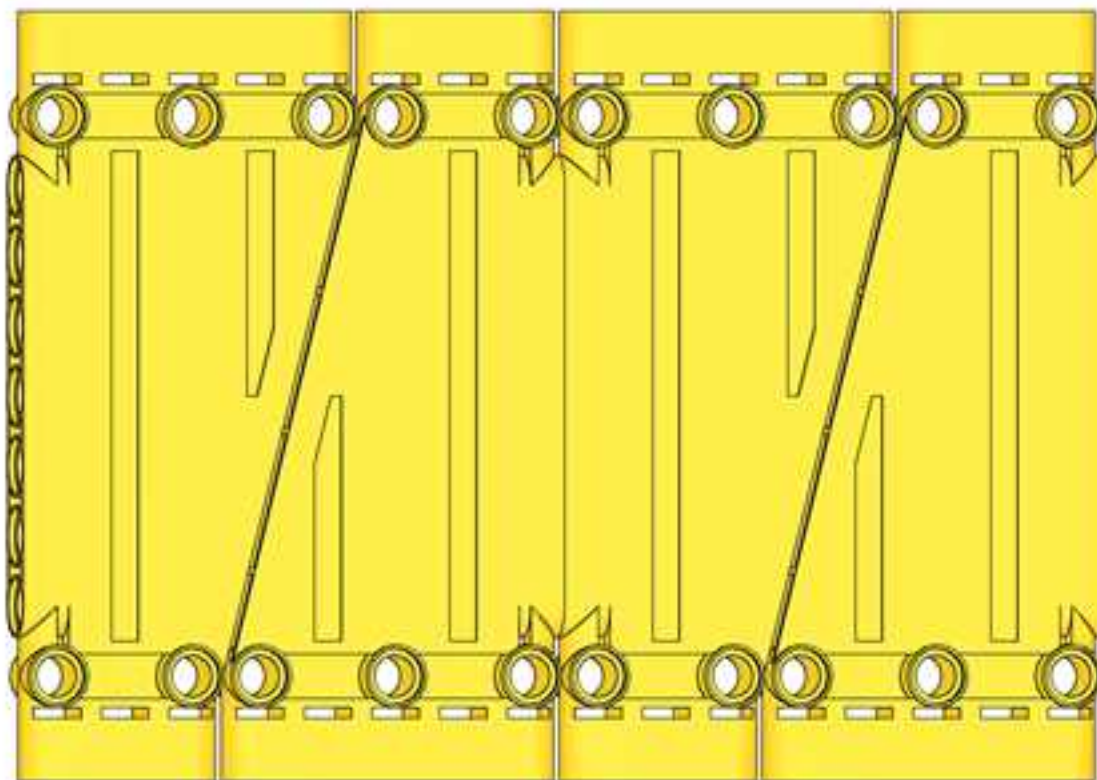
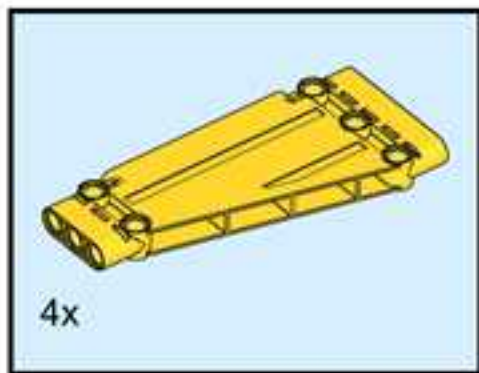


4x  
18945, 3

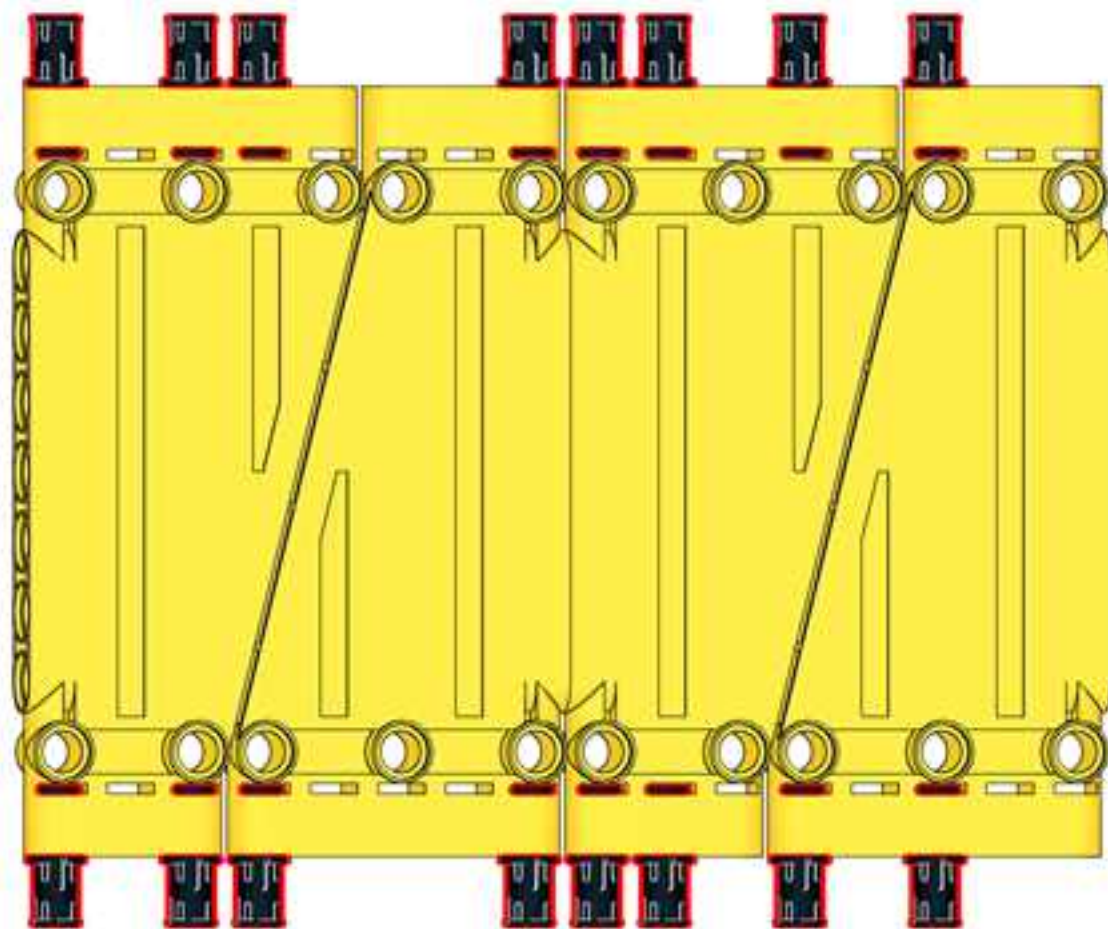
2x  
43093, 109

6x  
6558, 109

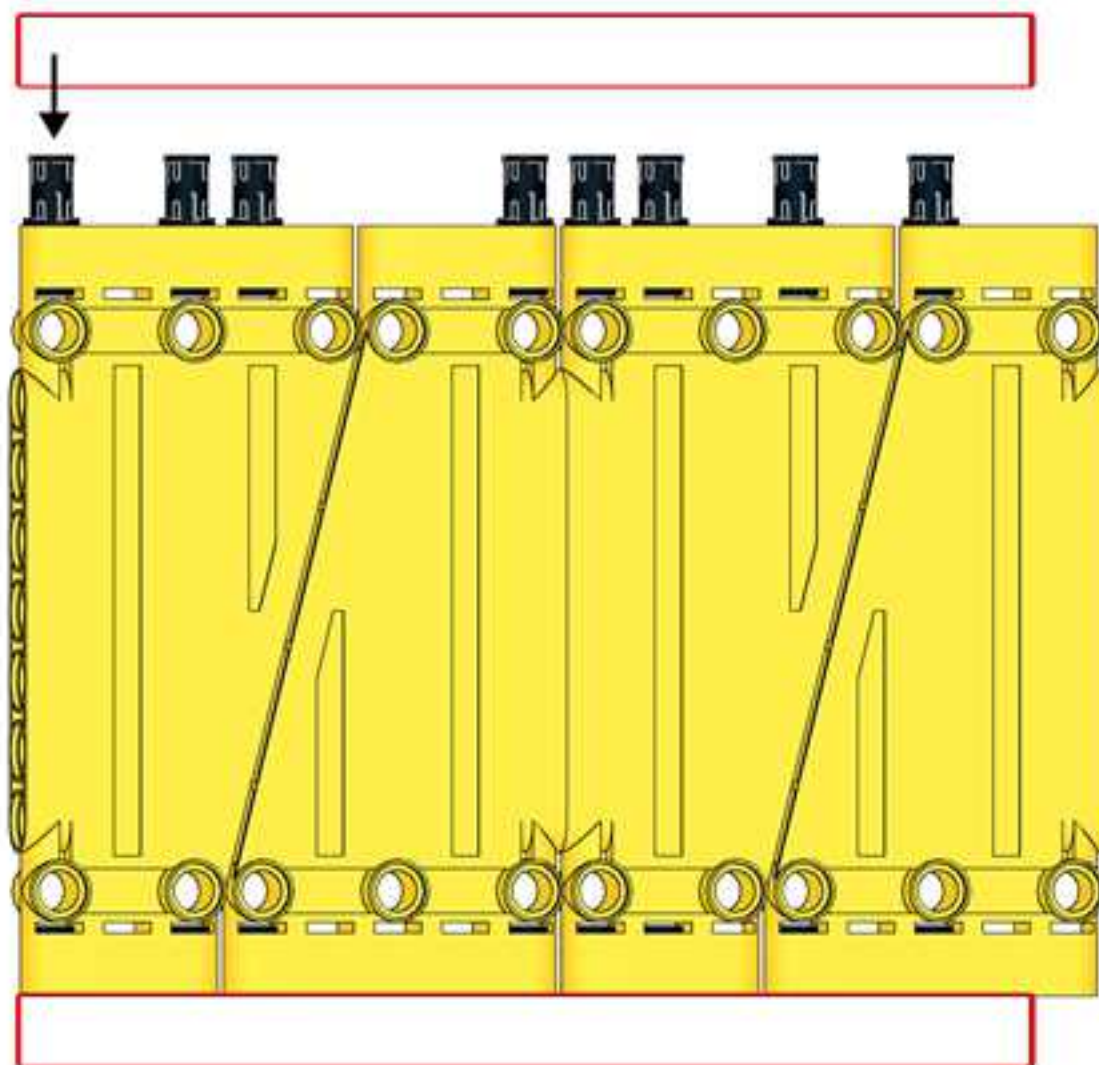
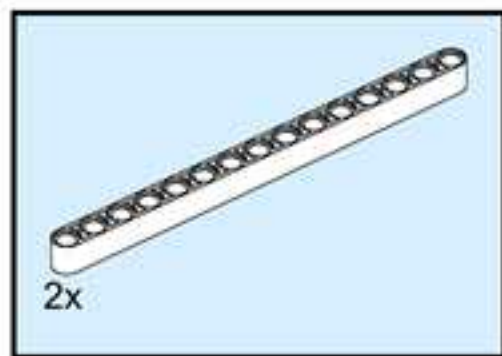
1



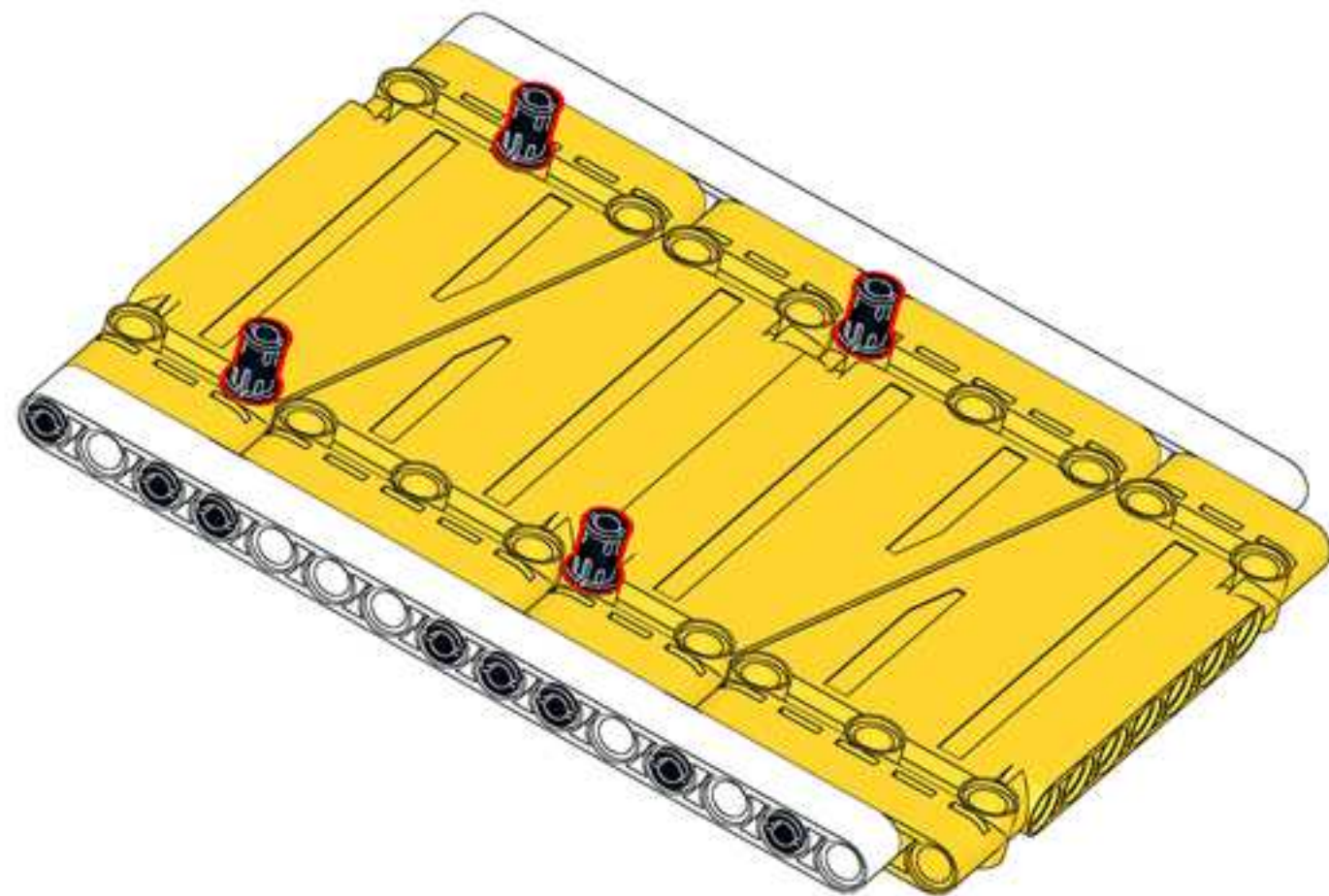
2



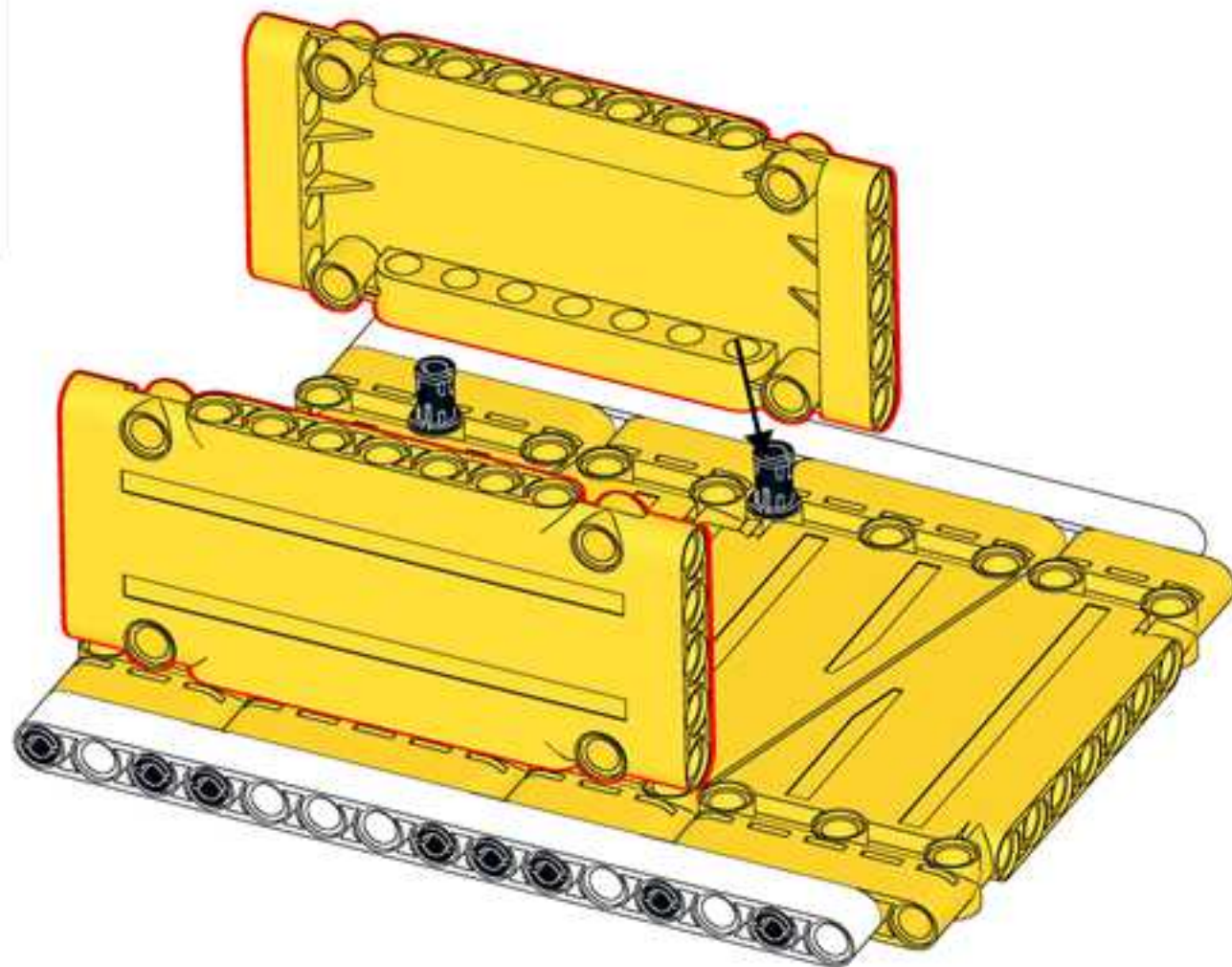
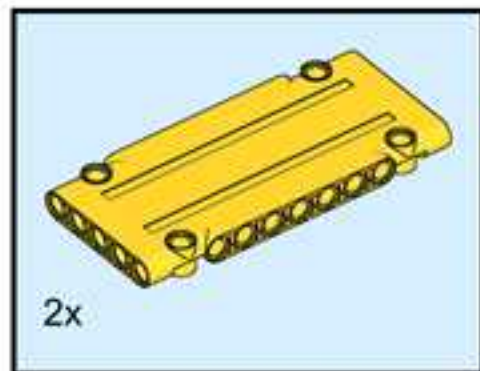
3



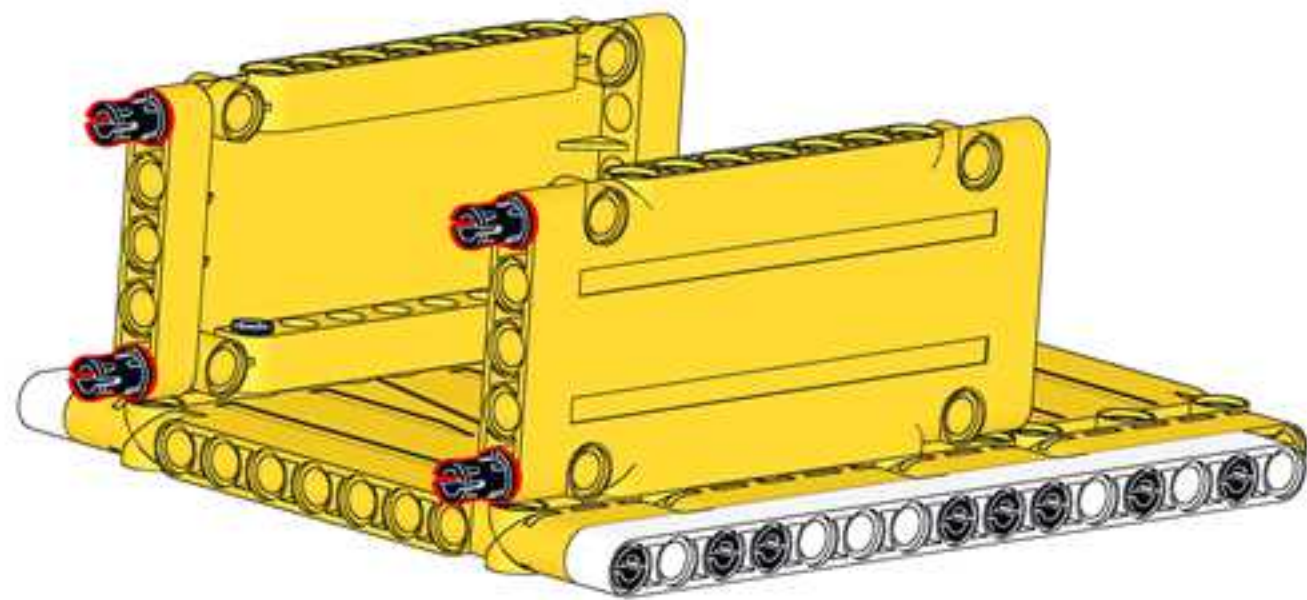
4



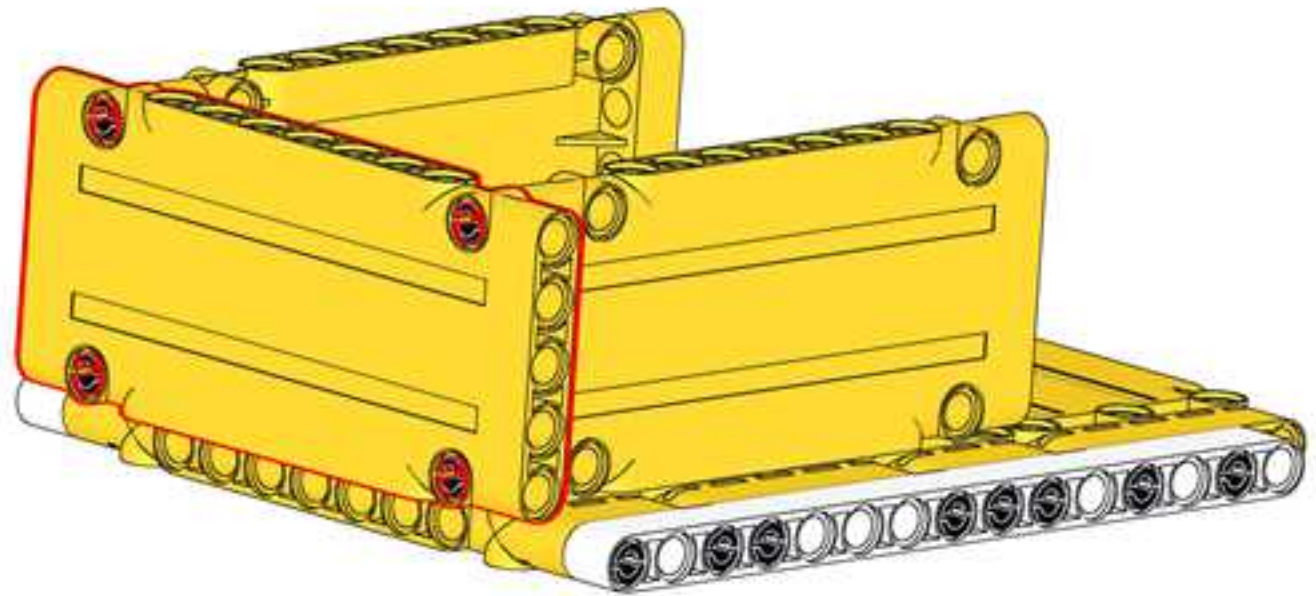
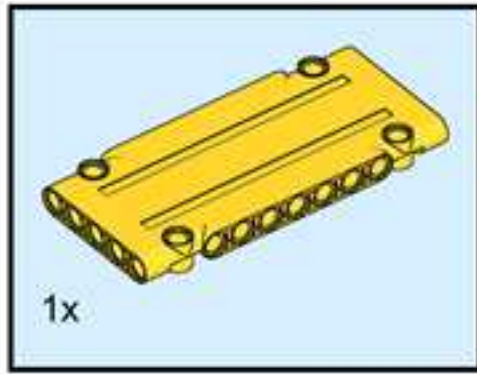
5



6

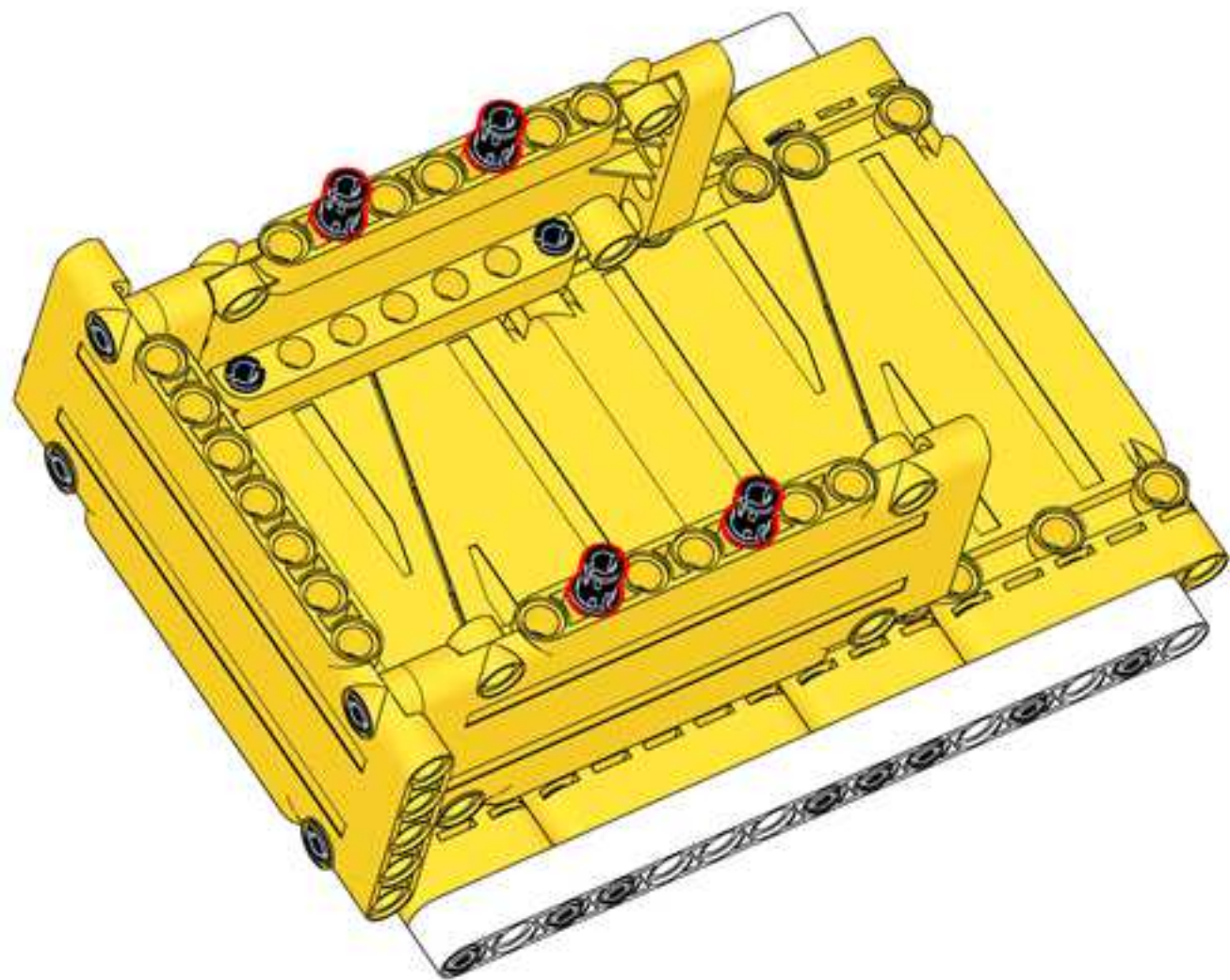


7

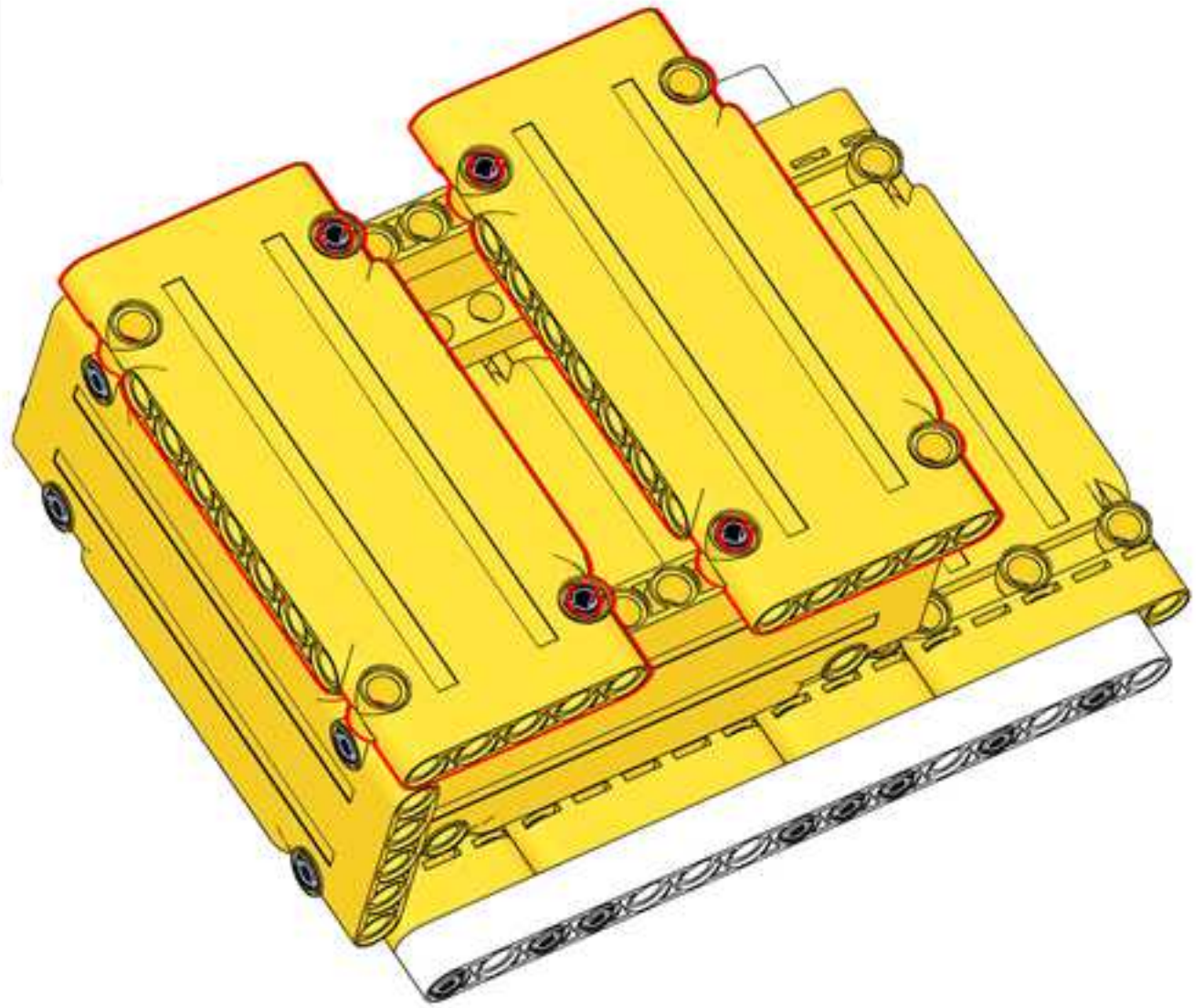
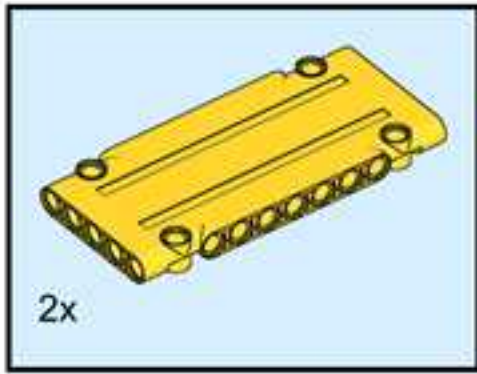




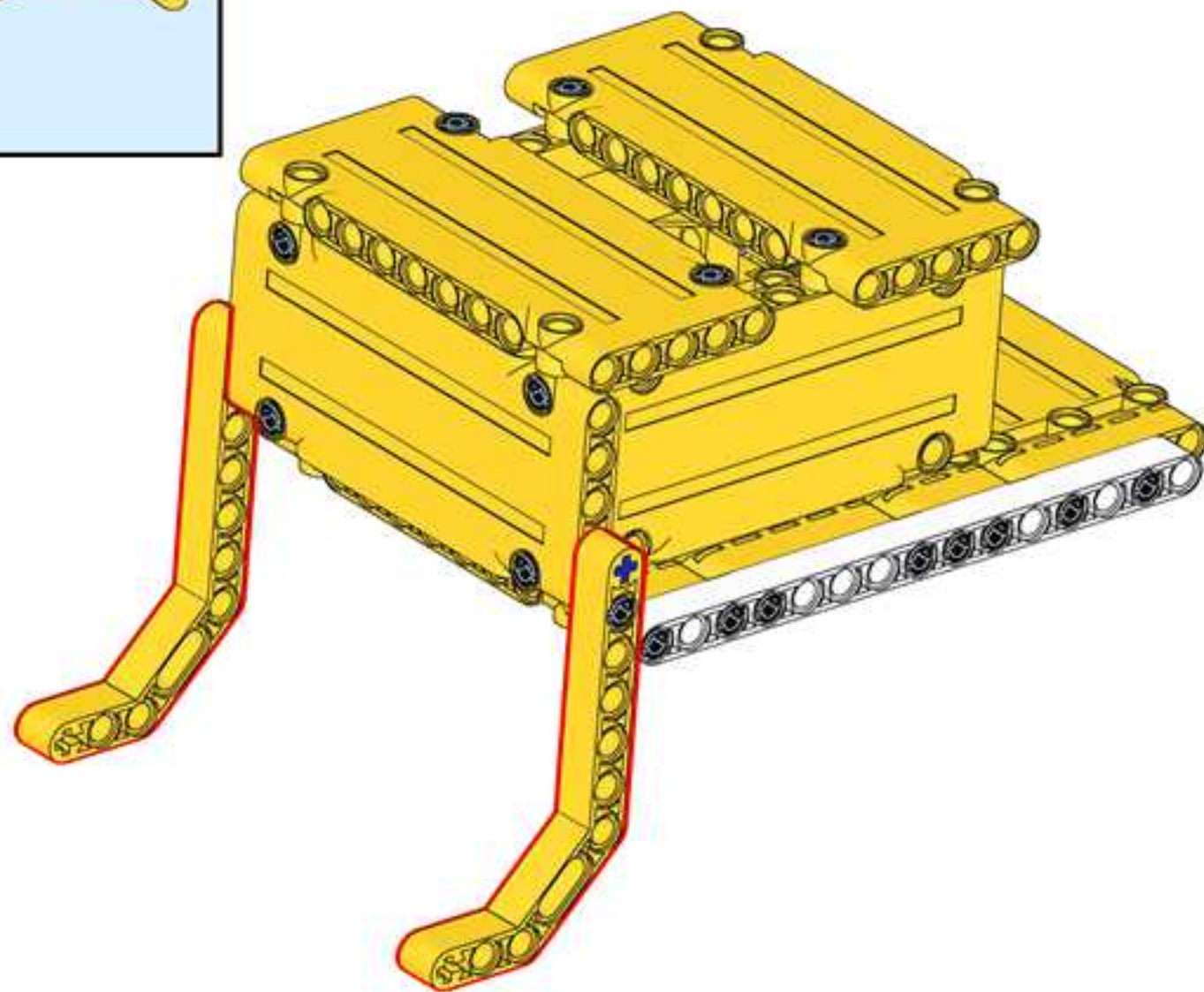
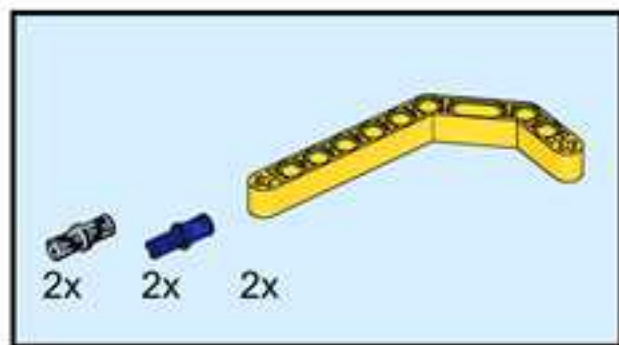
8



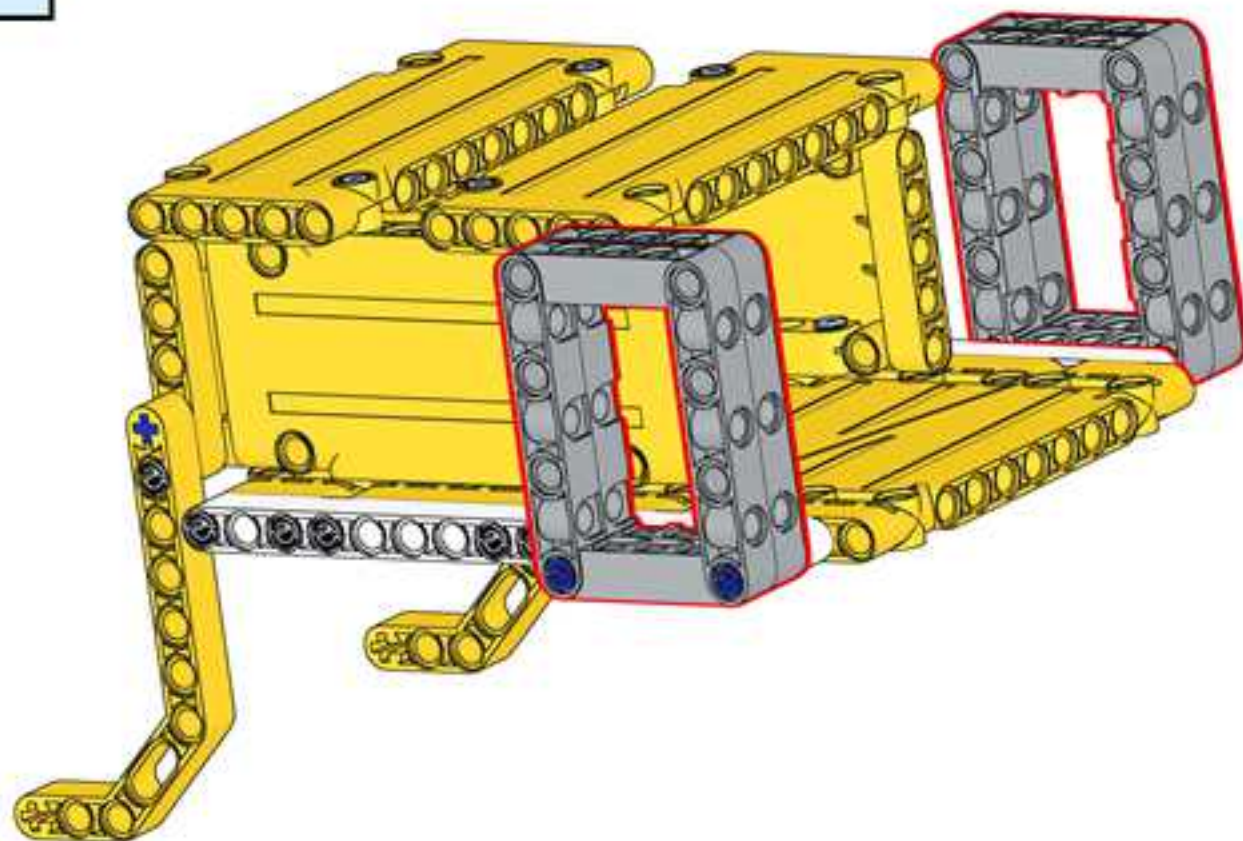
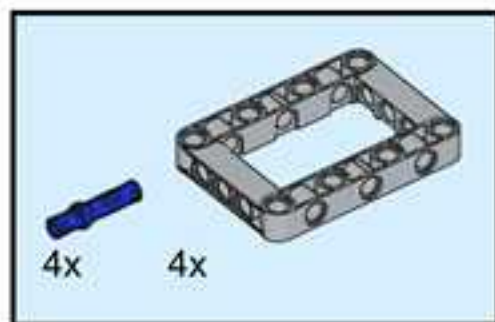
9



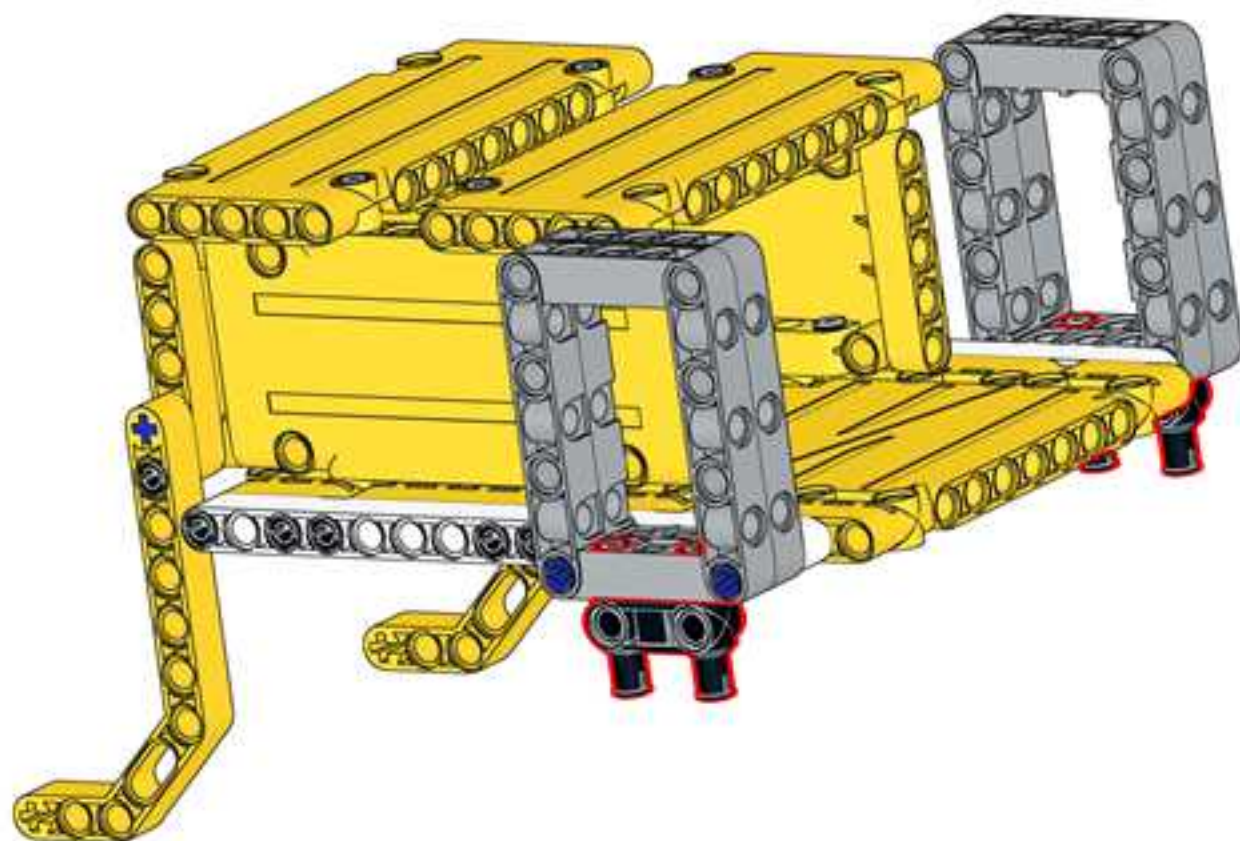
10



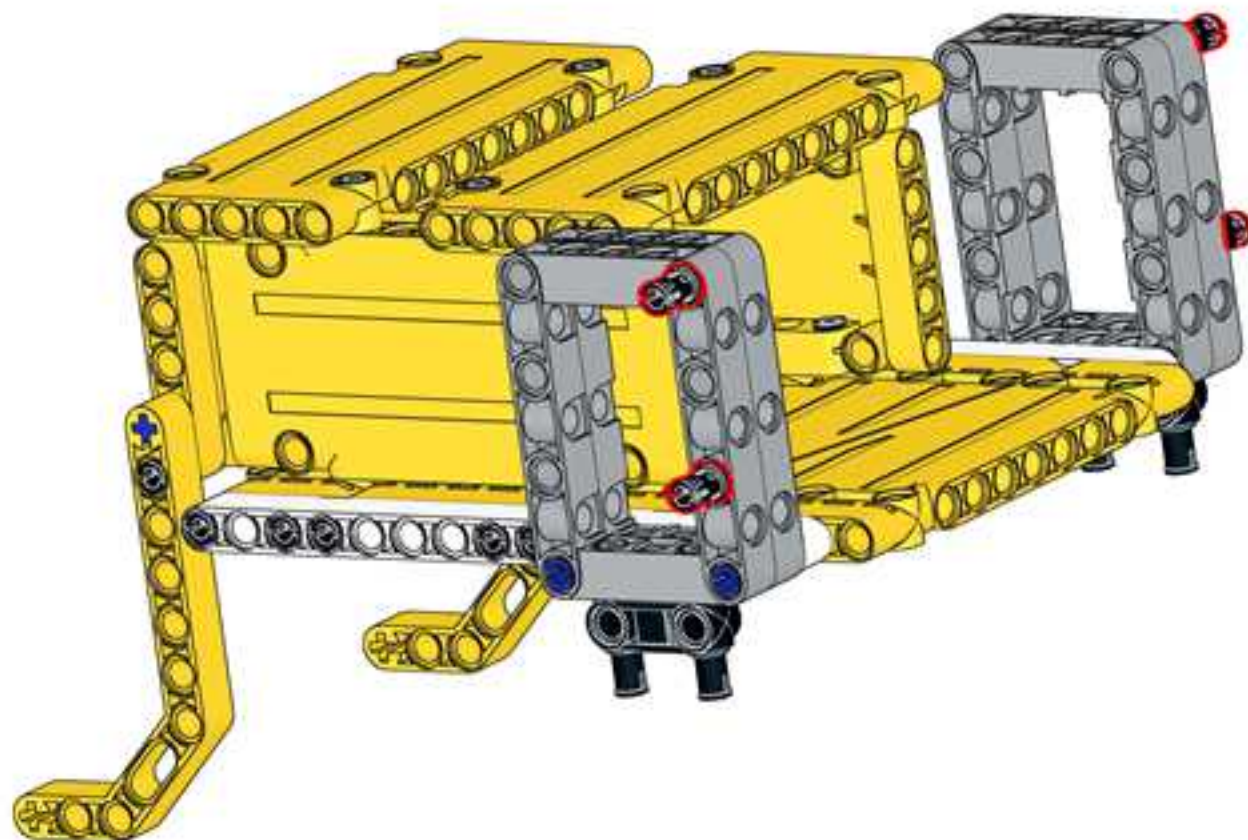
11



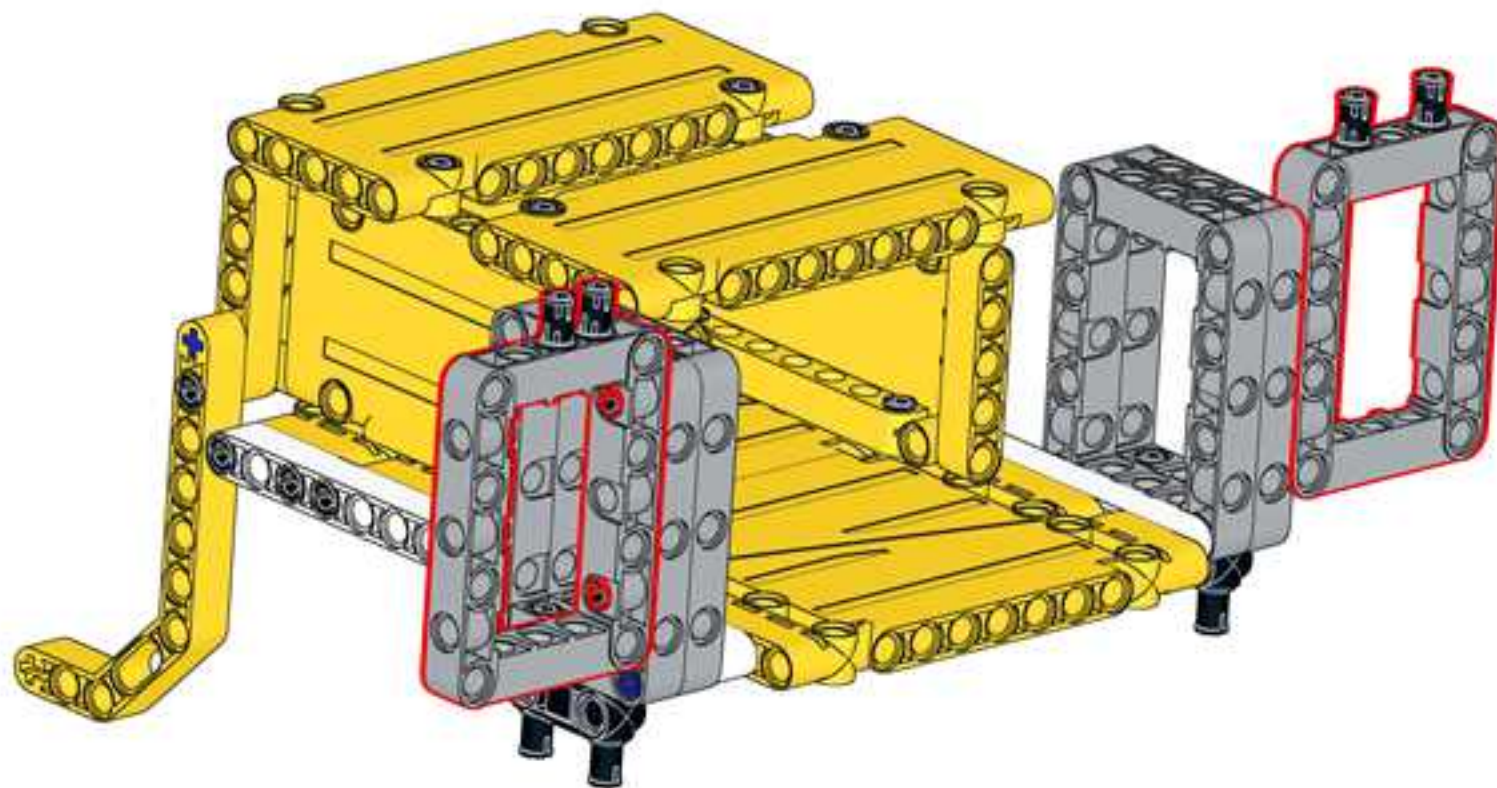
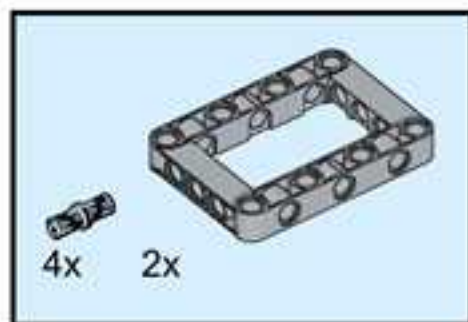
12



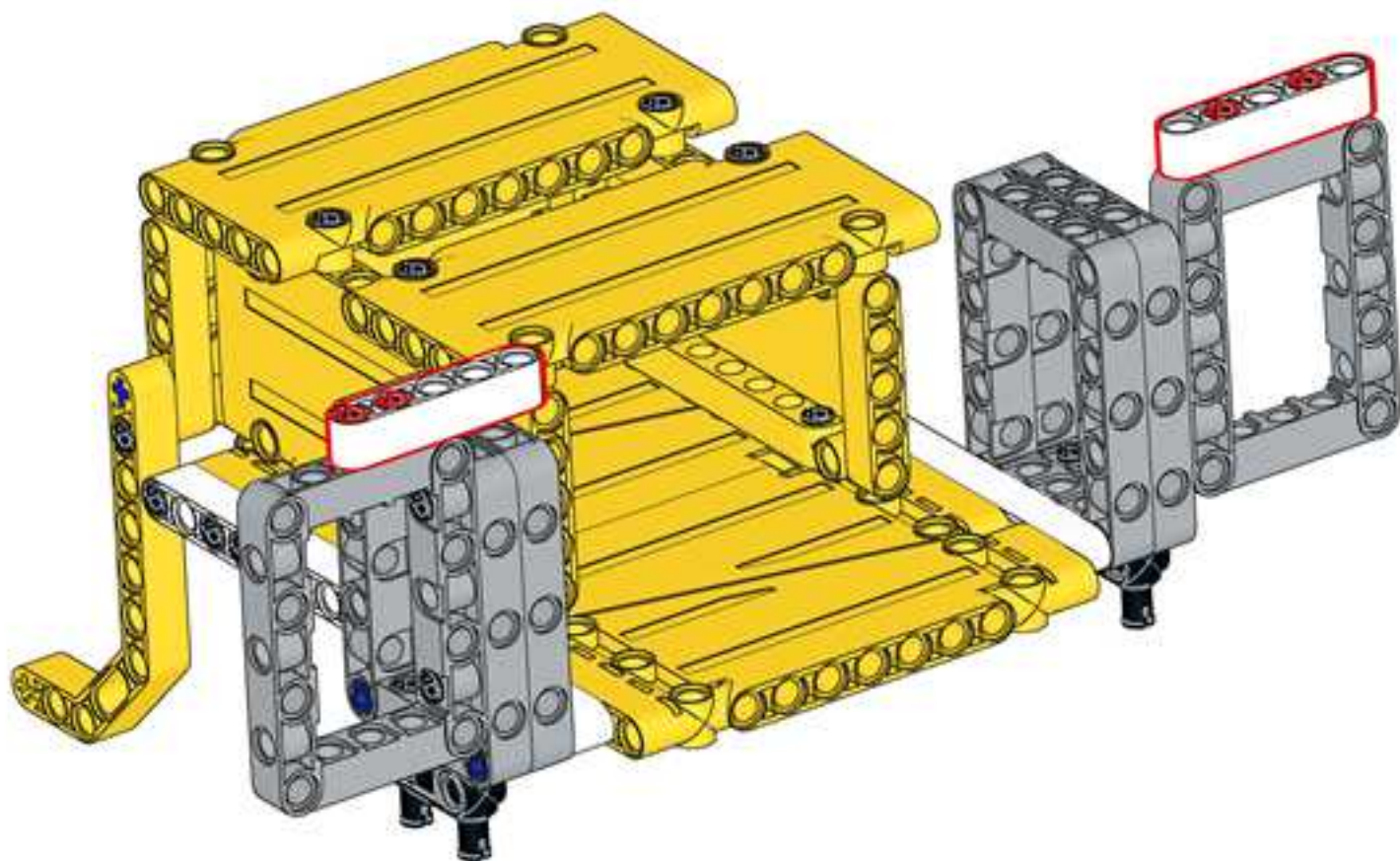
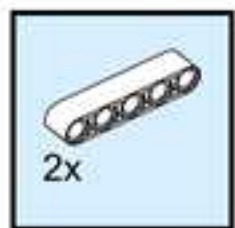
13



14

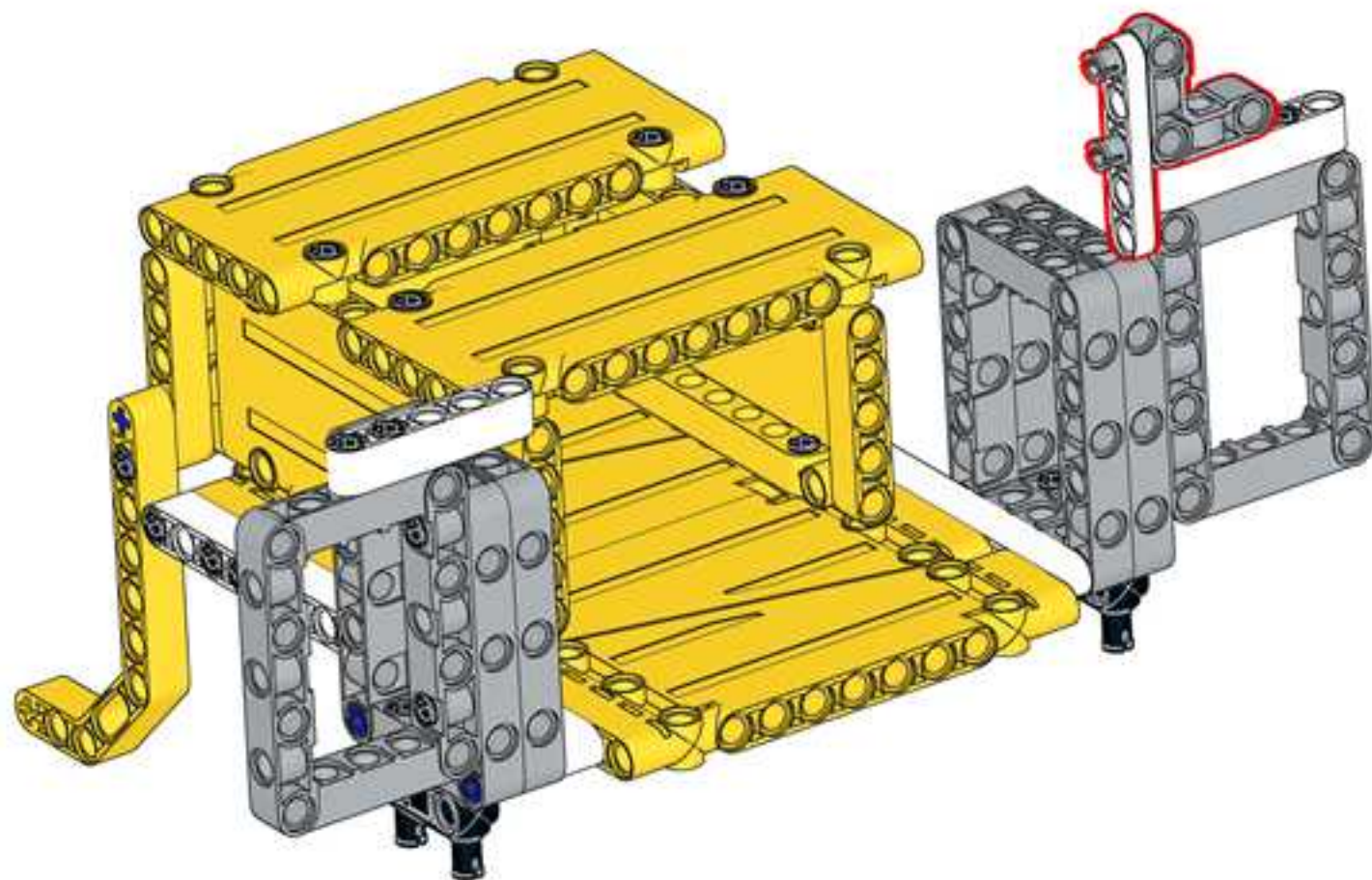
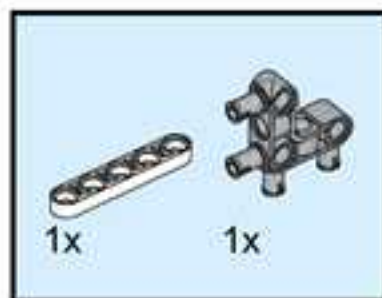


15

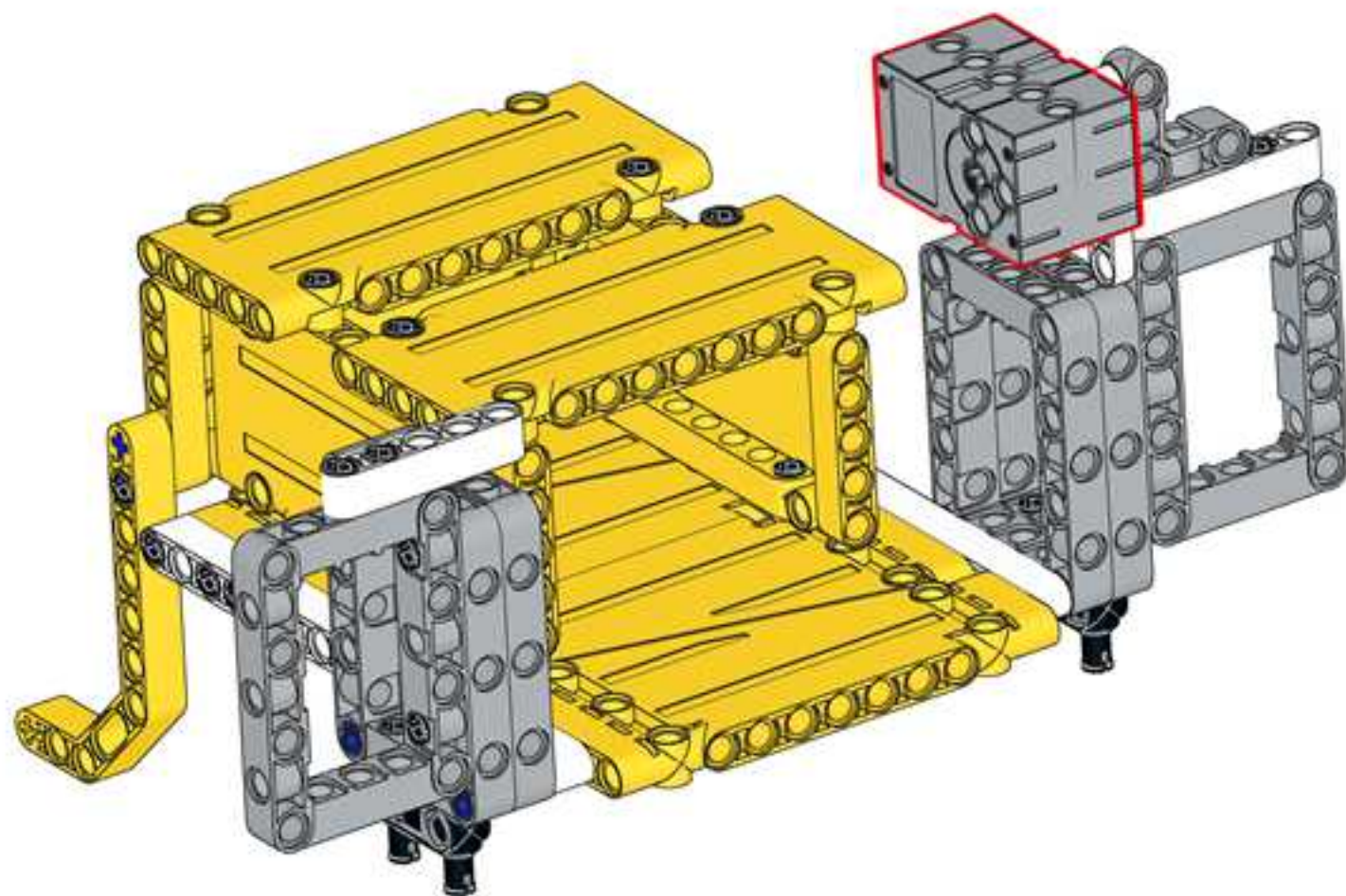
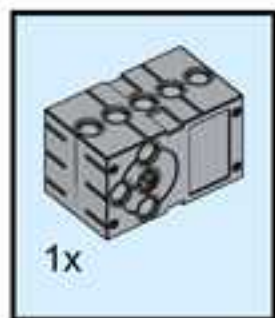




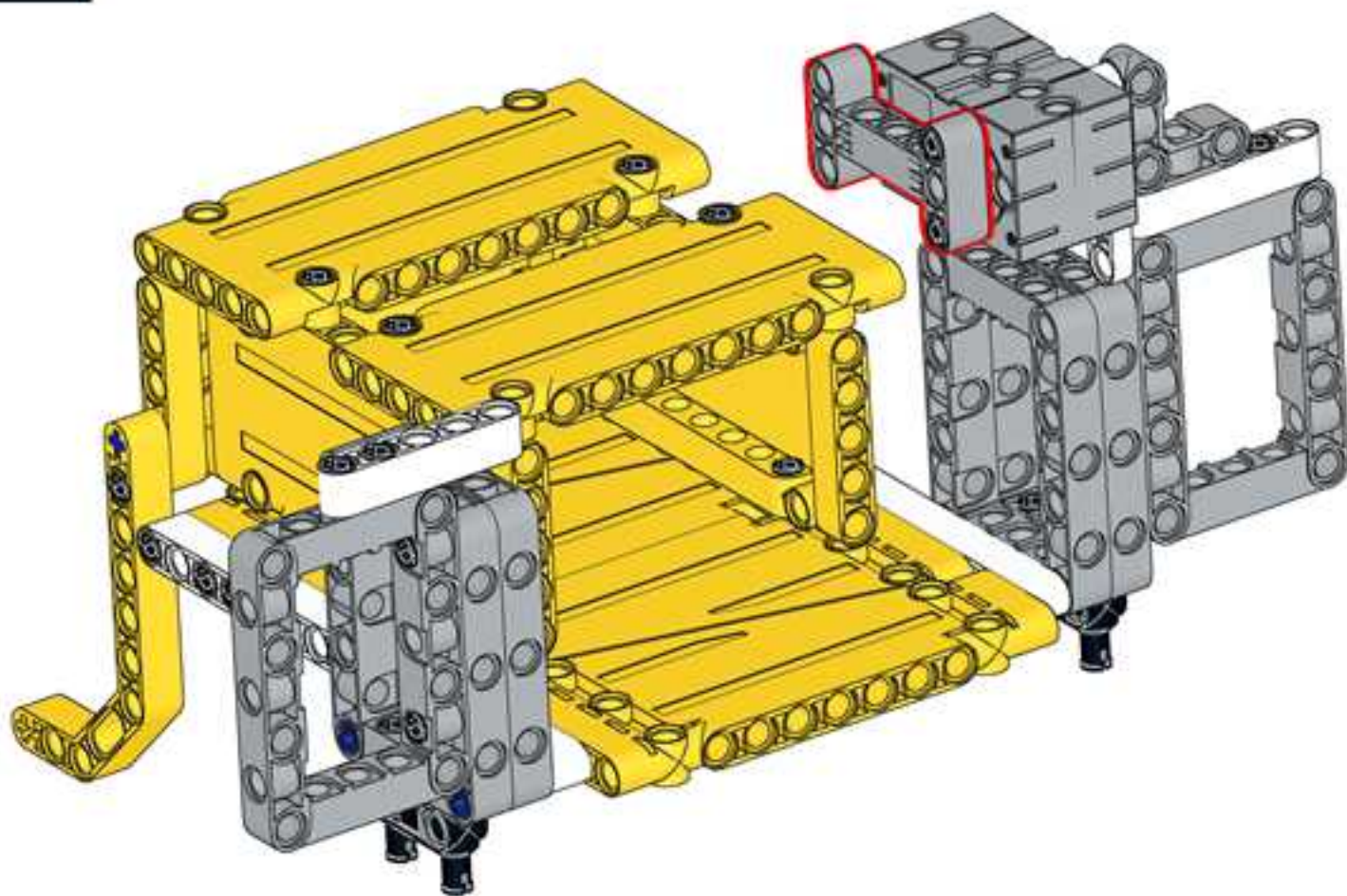
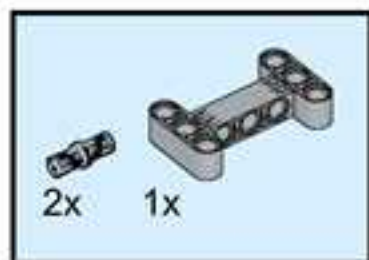
16



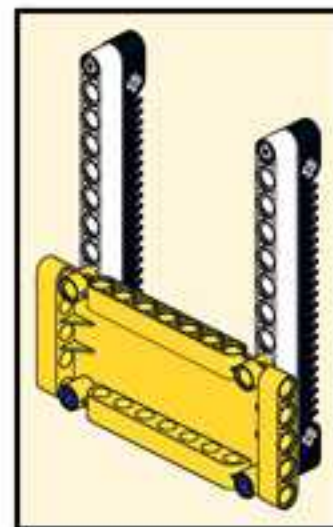
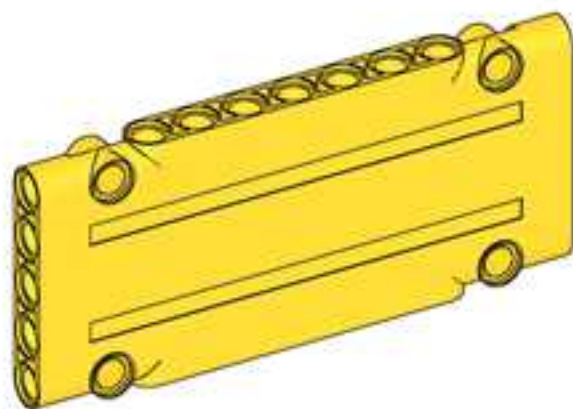
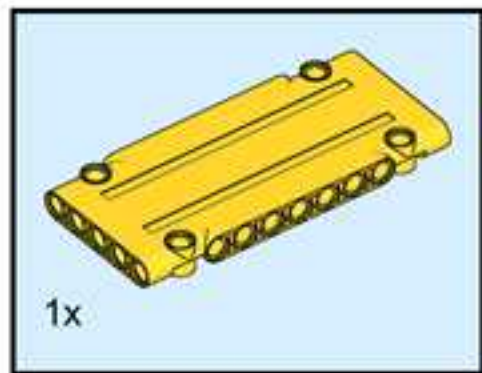
17



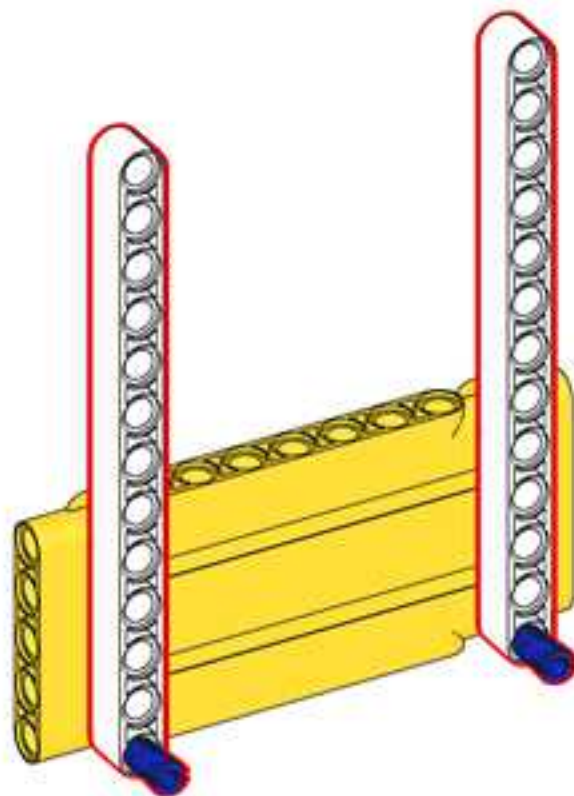
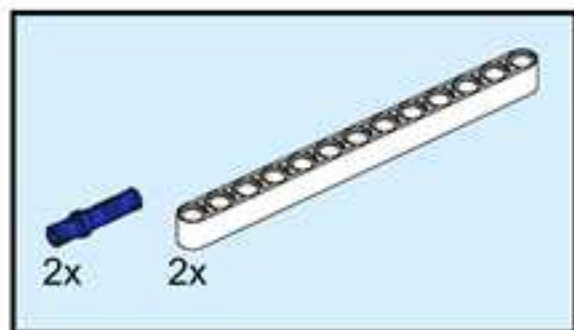
18



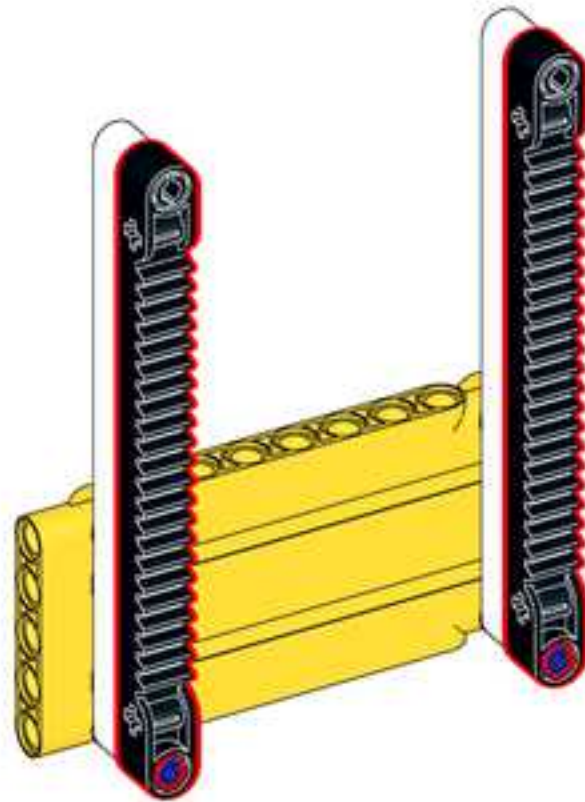
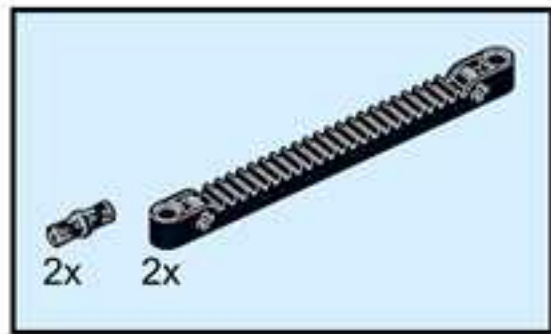
19

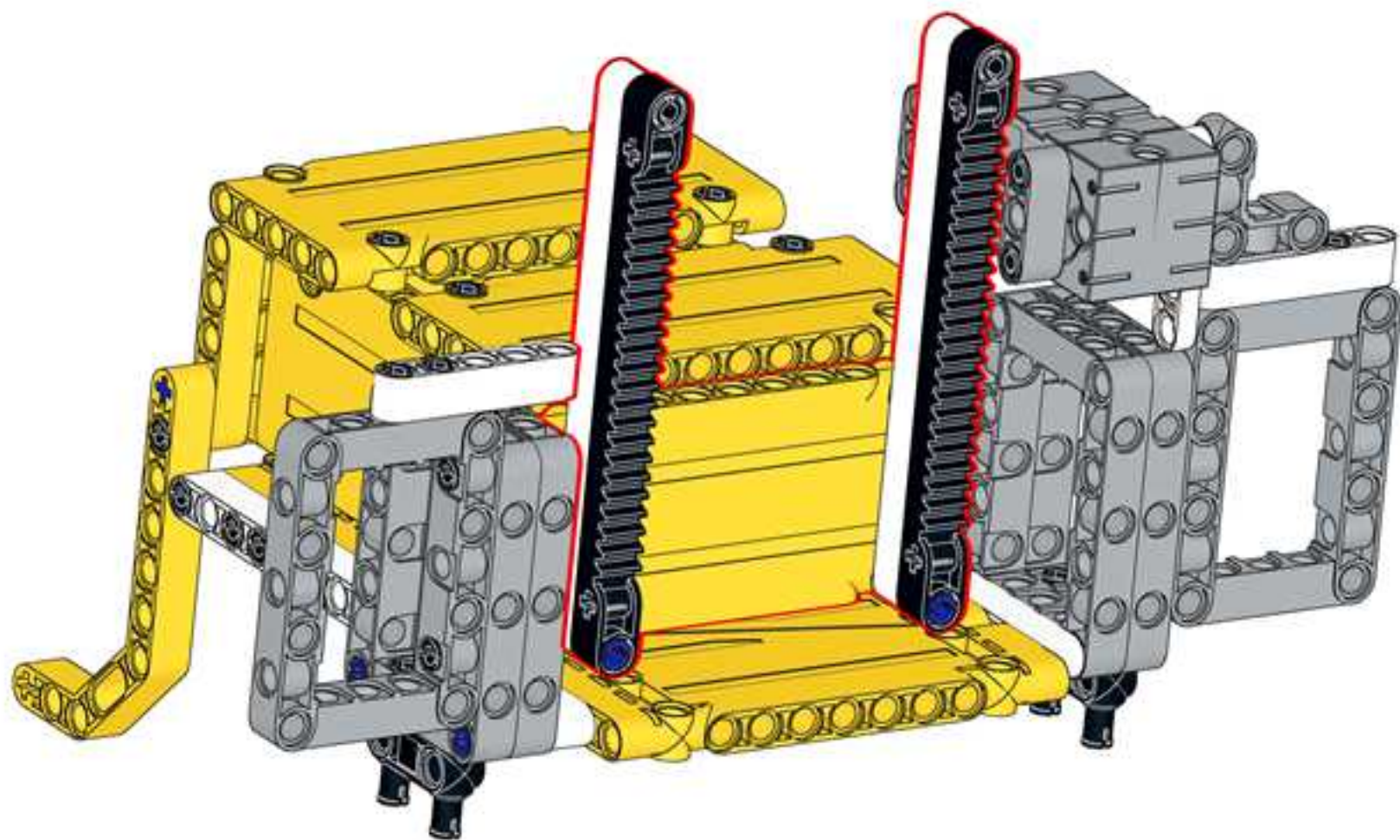


20

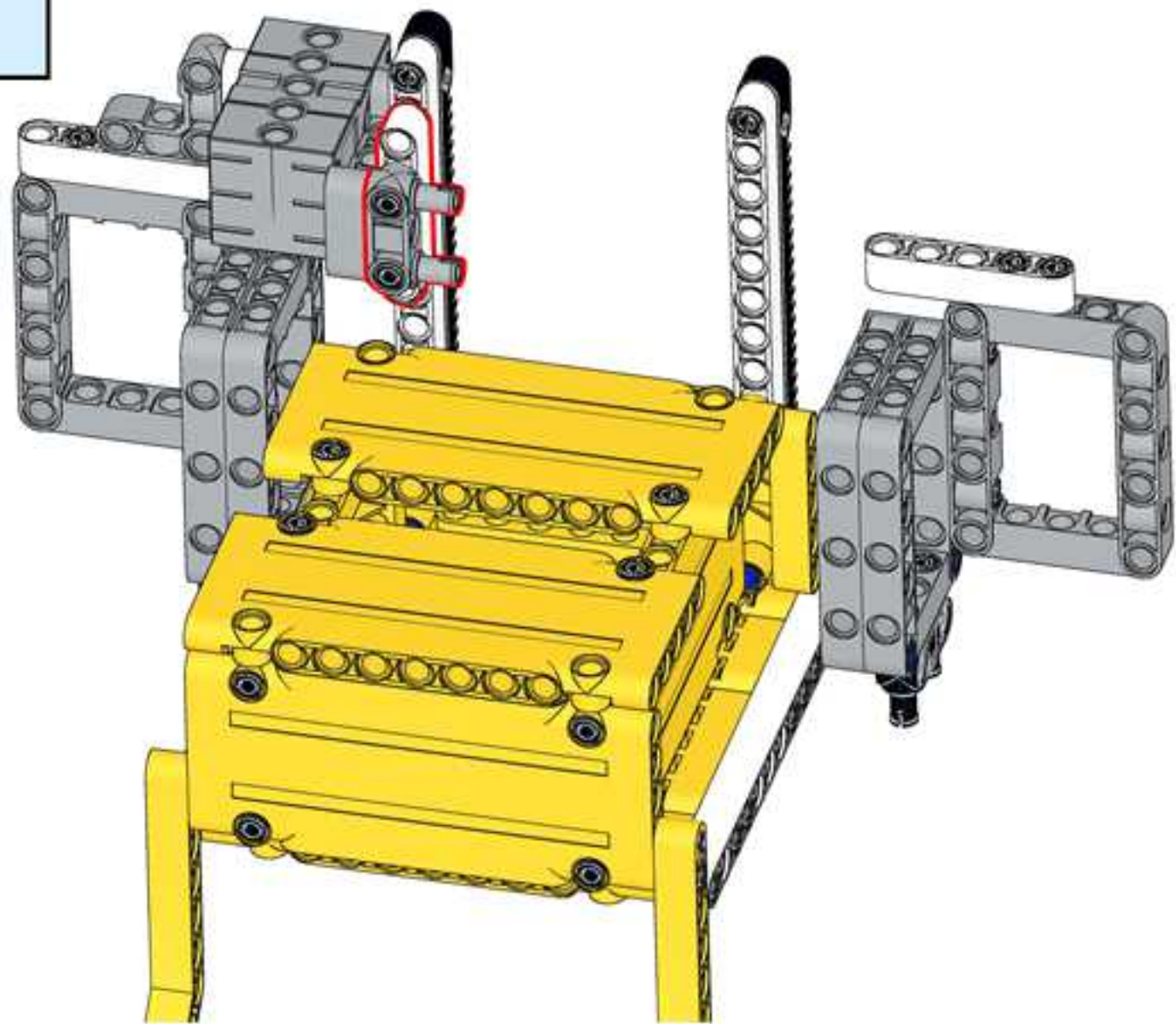
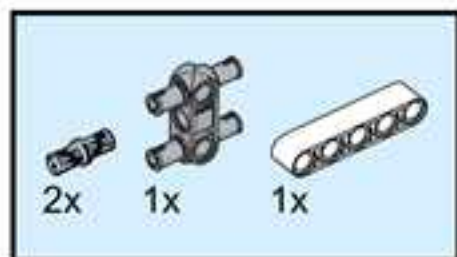


21



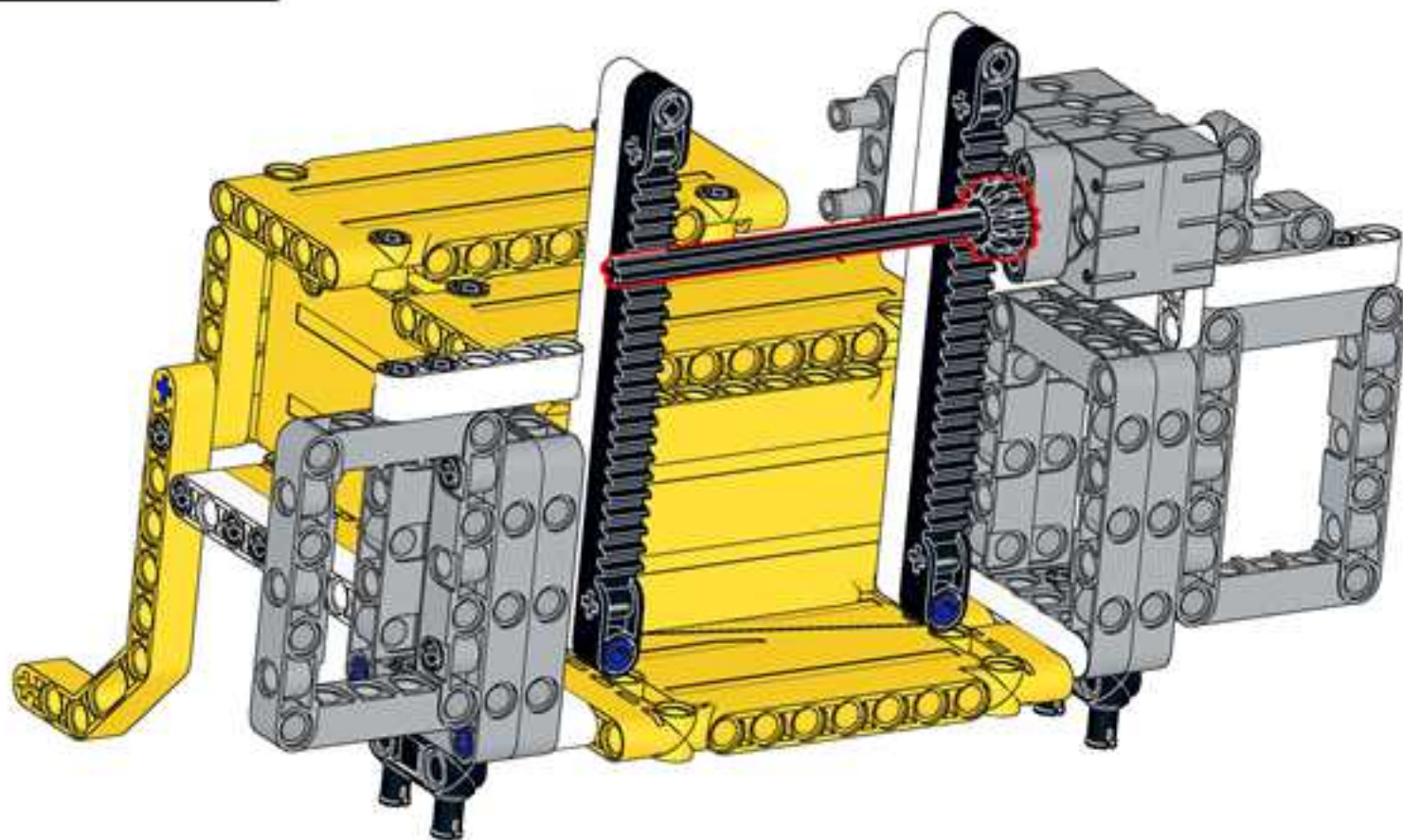
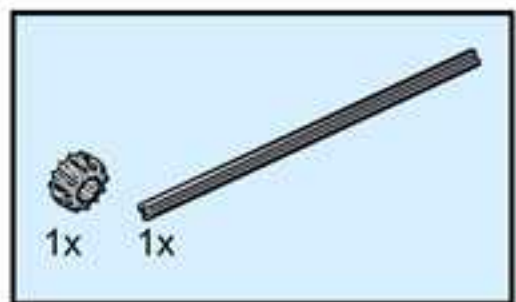


23

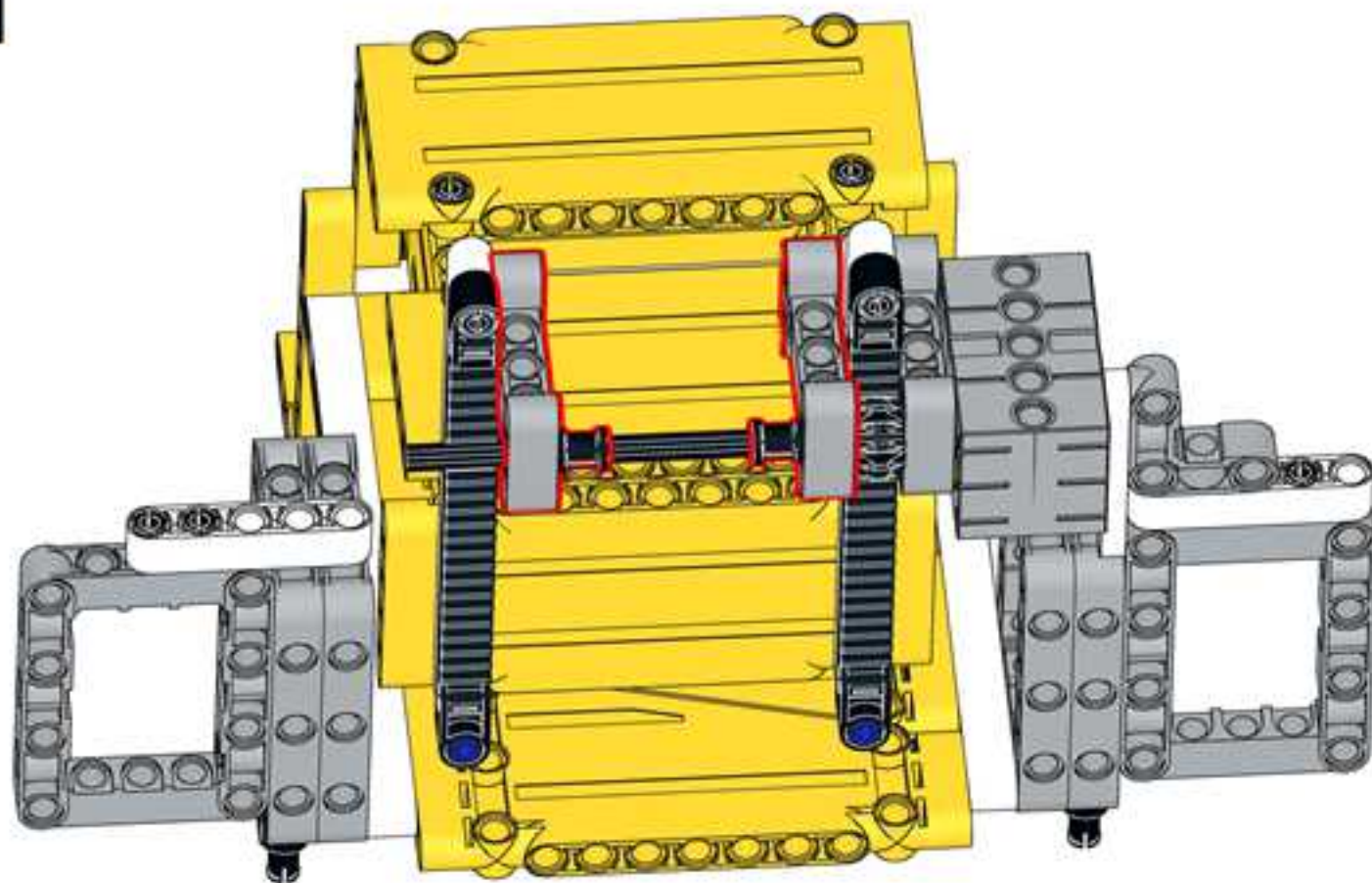
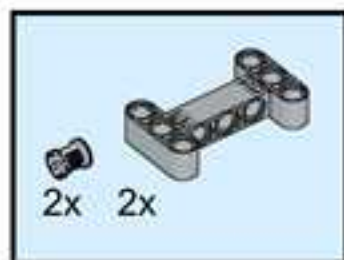




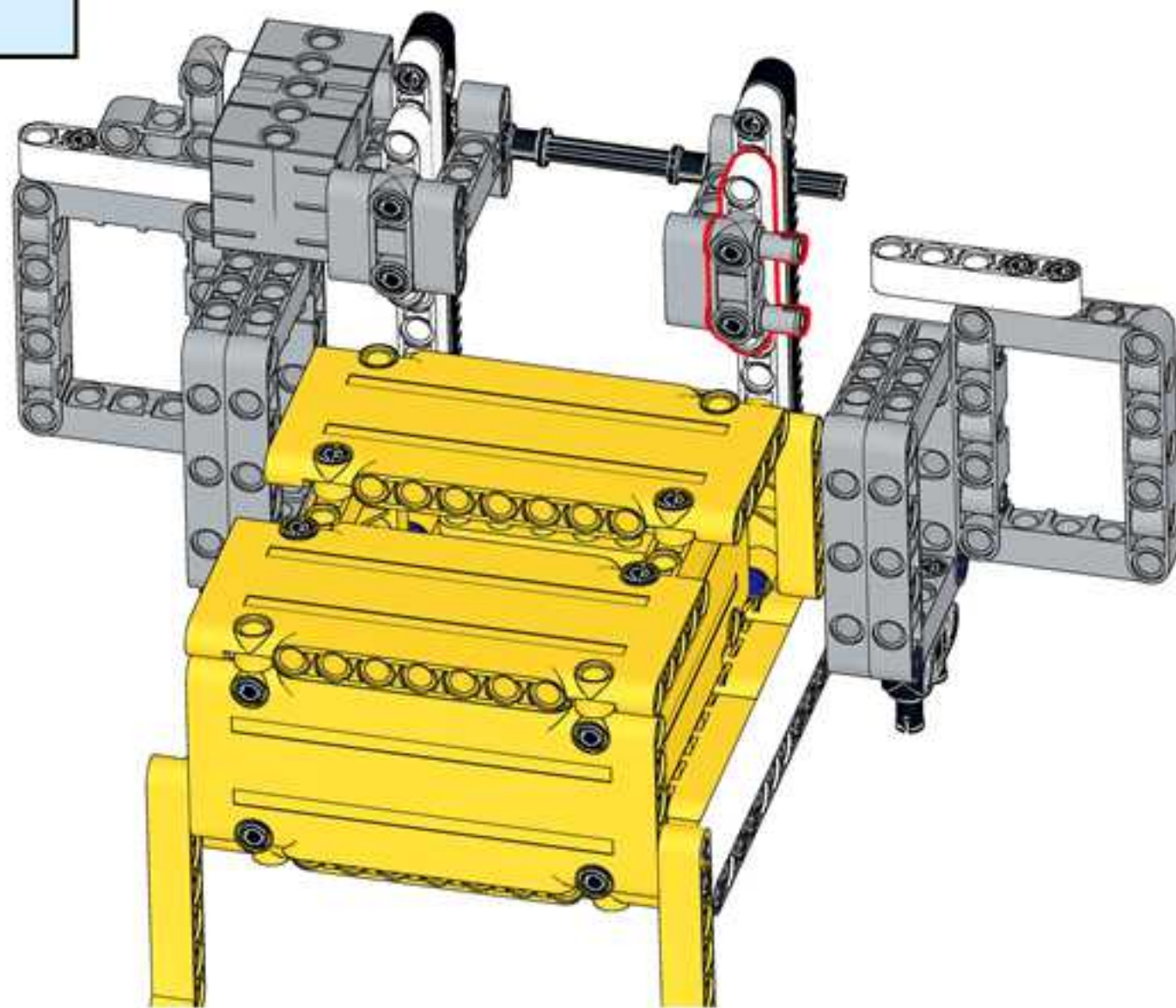
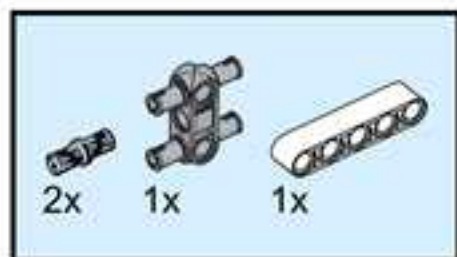
24



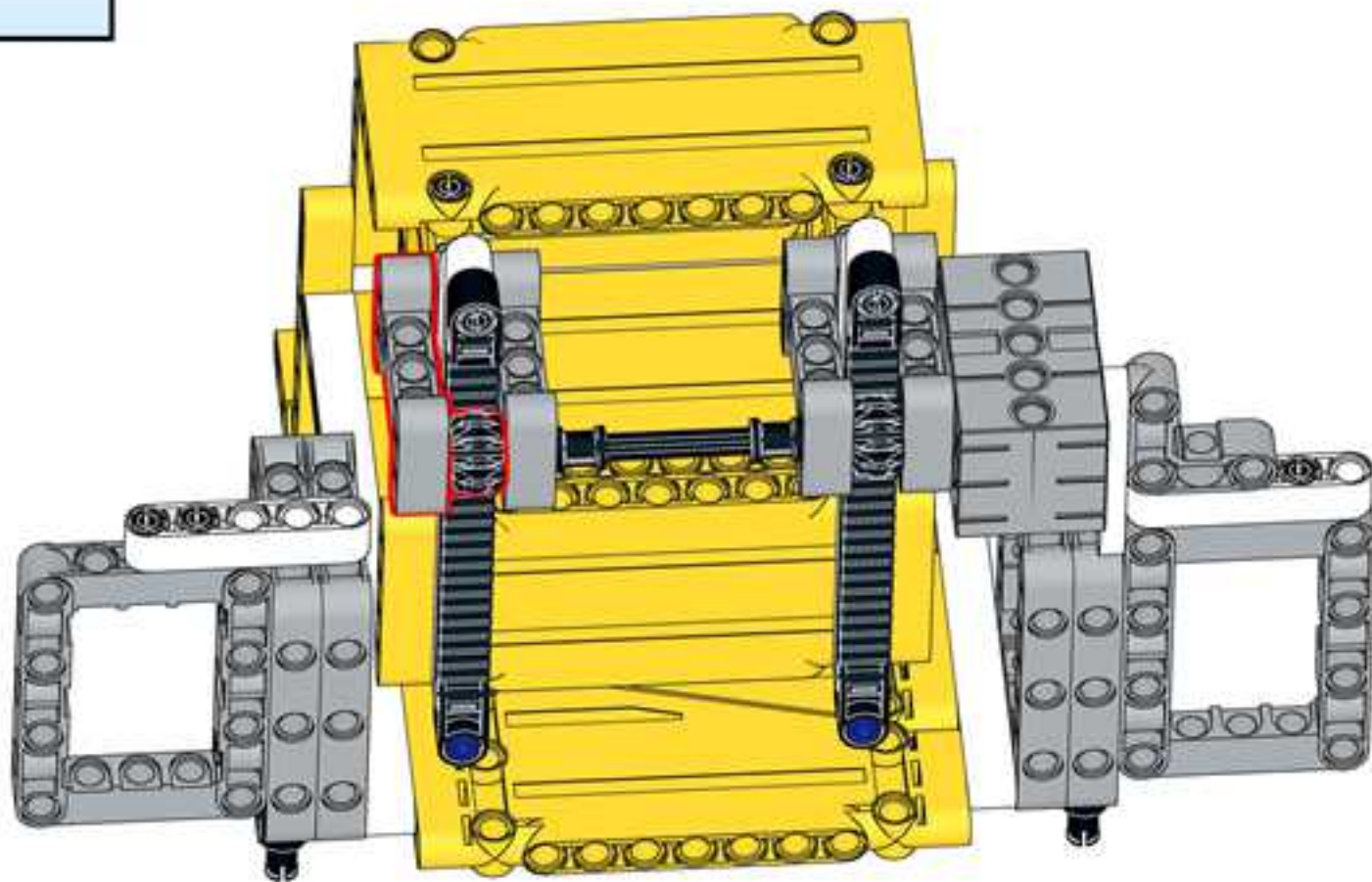
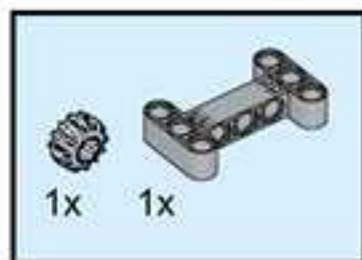
25



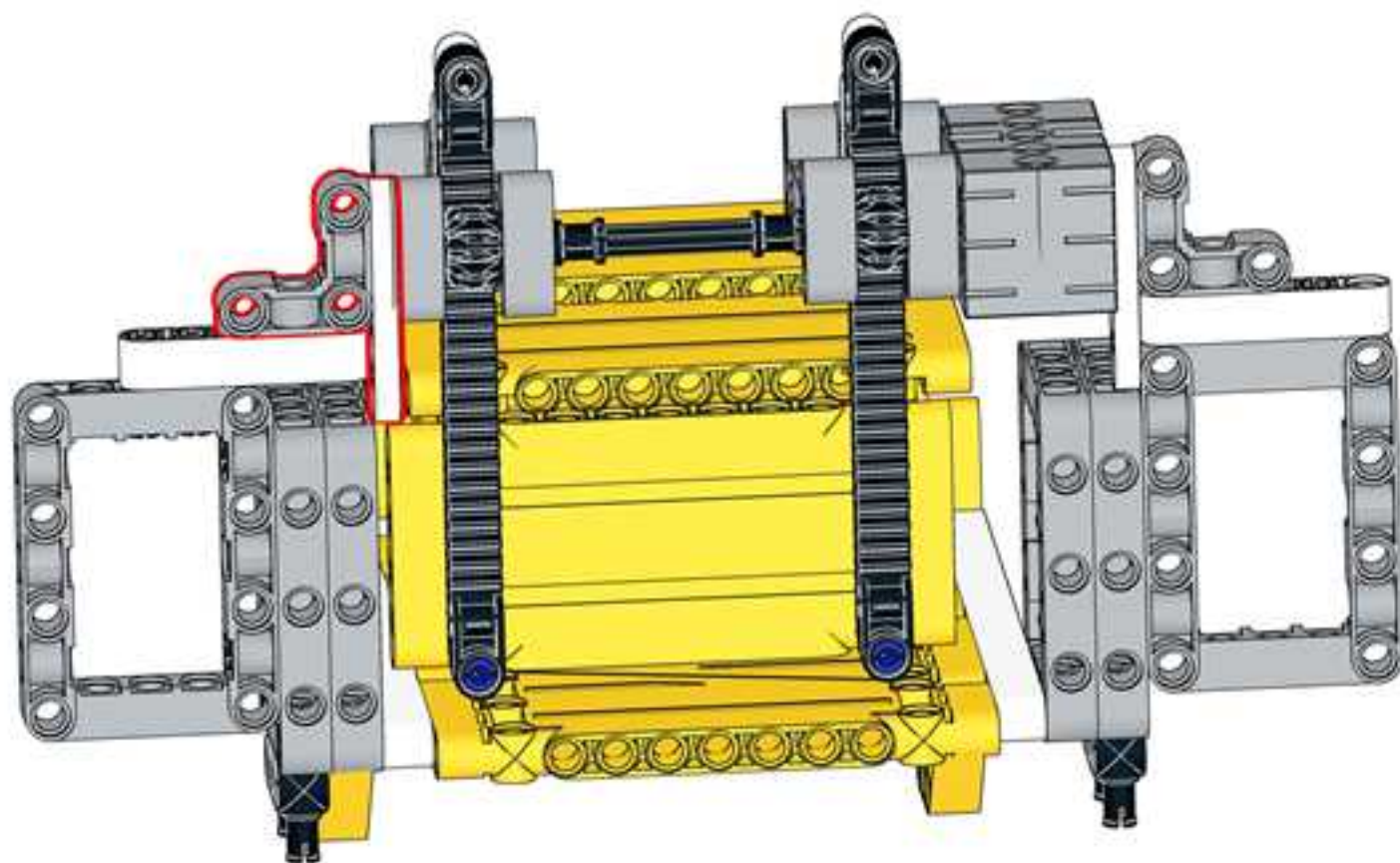
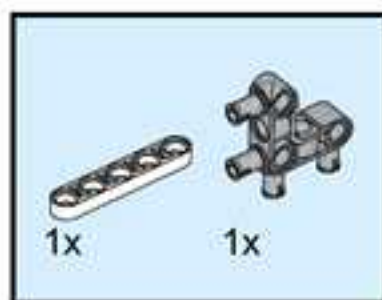
26



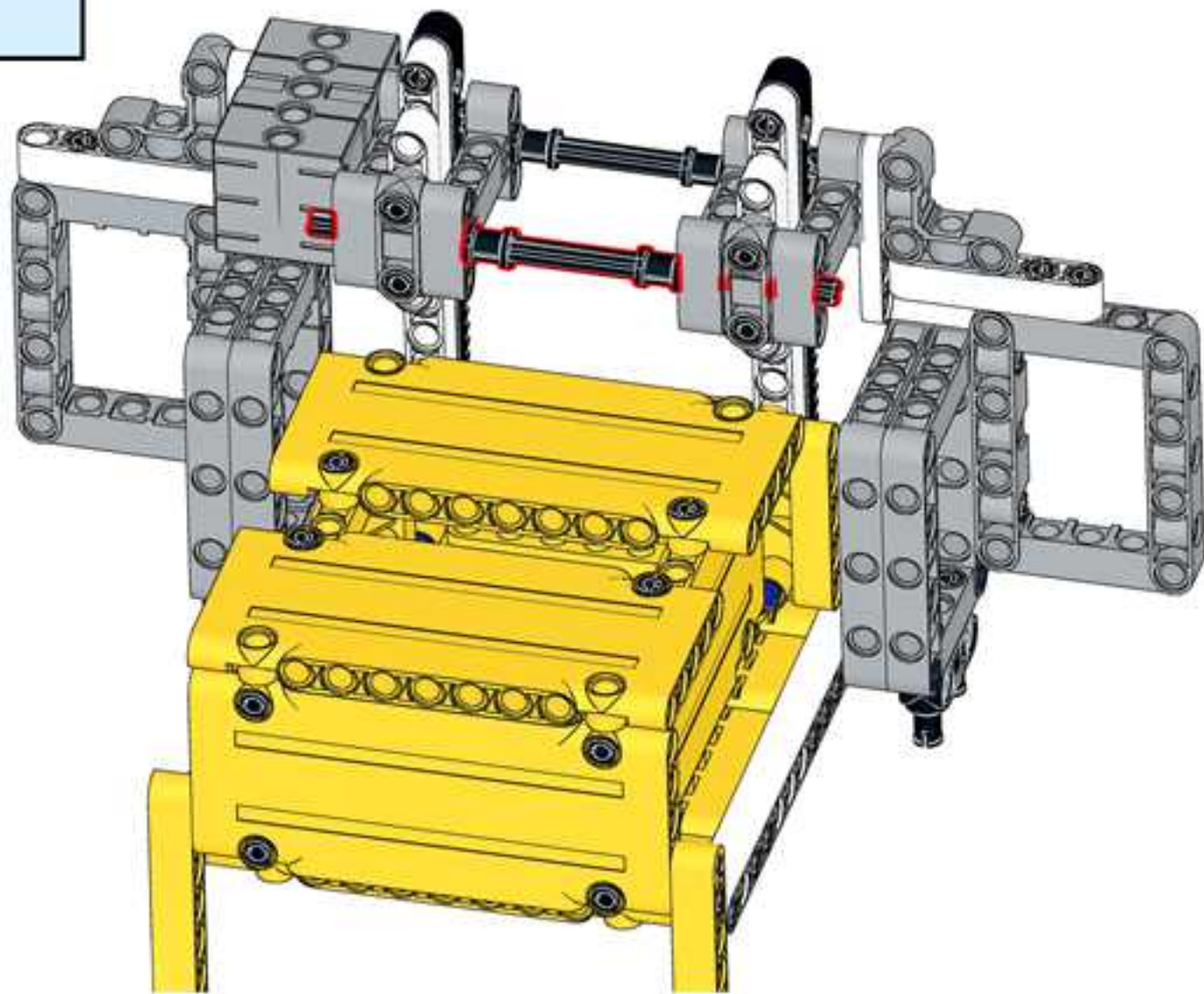
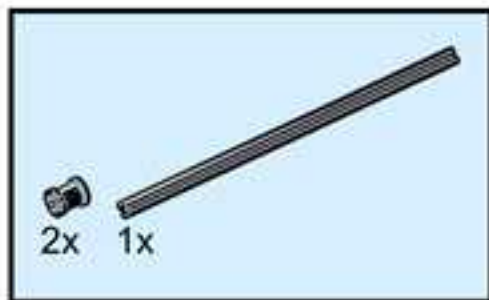
27



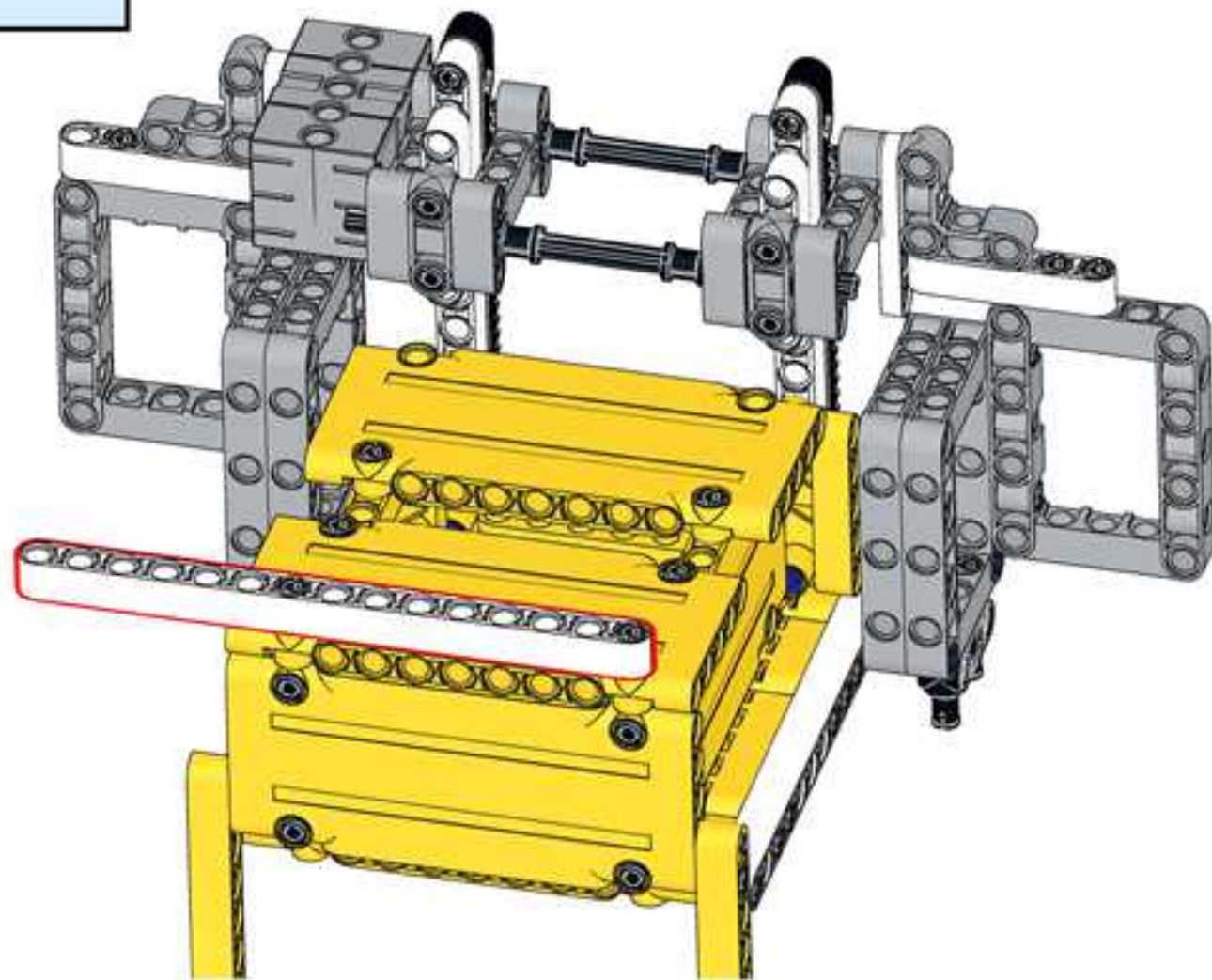
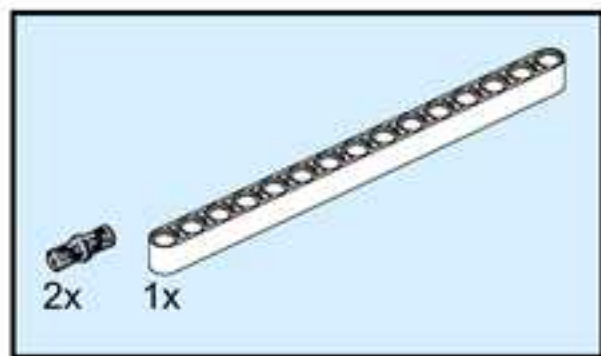
28



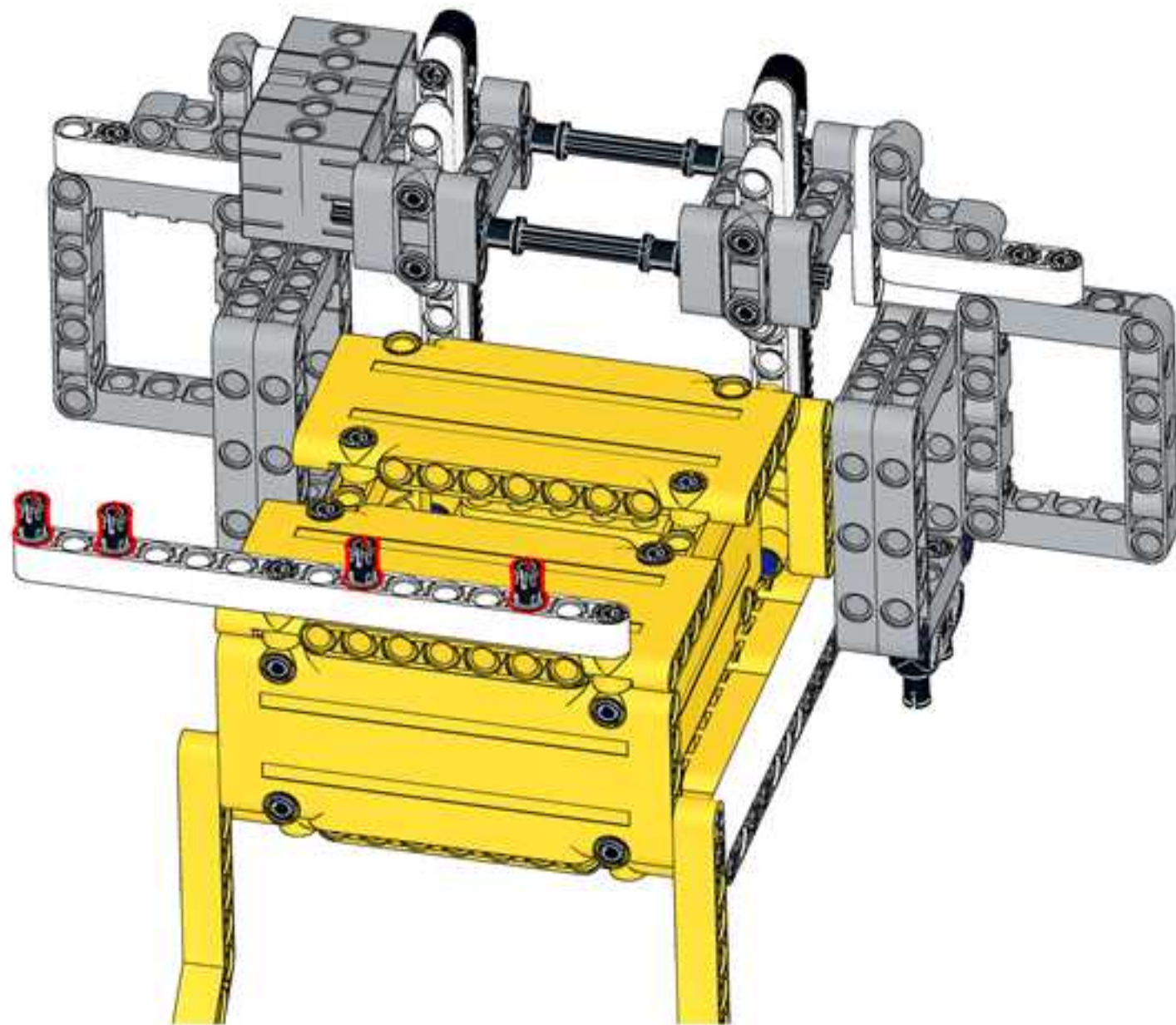
29



30

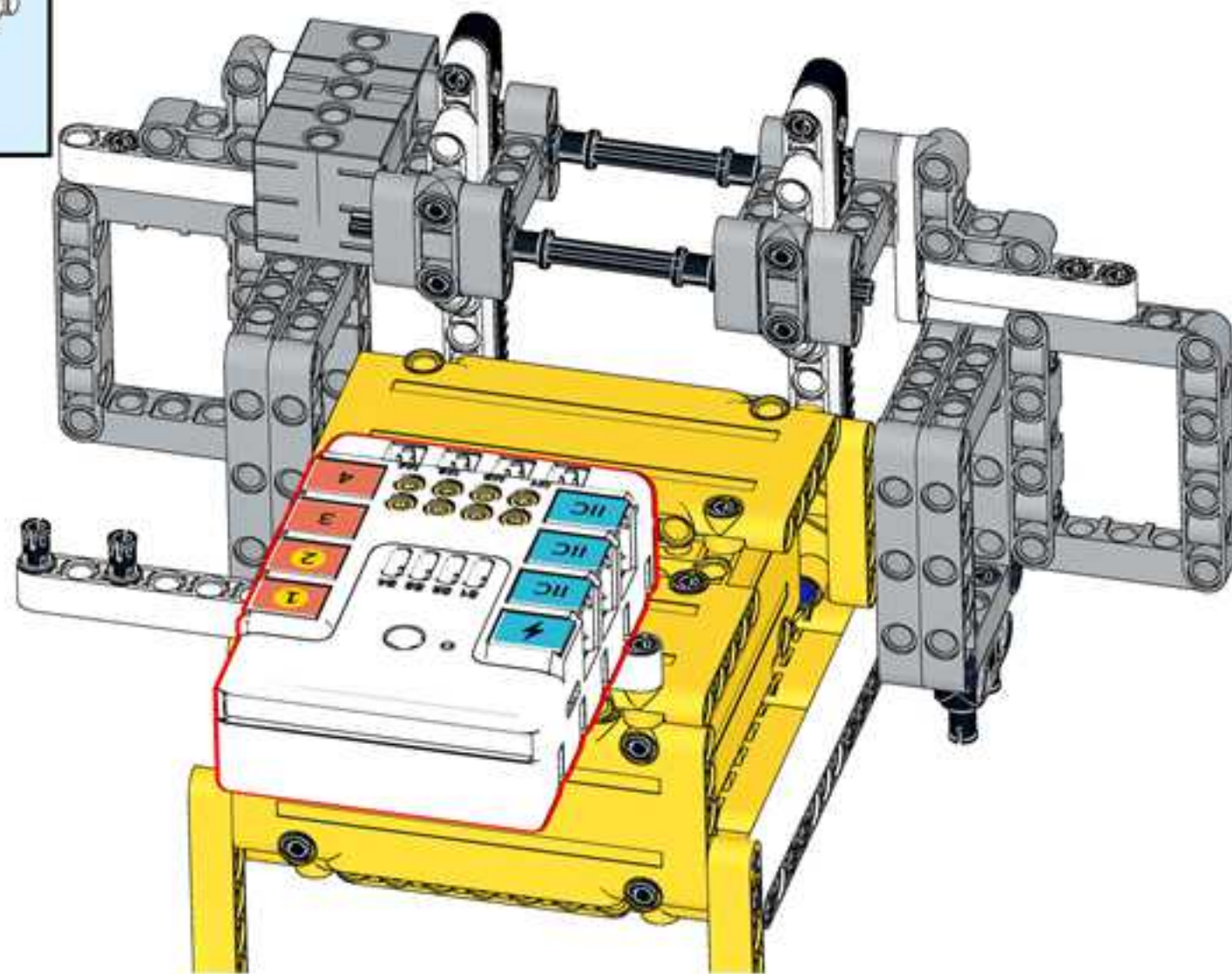
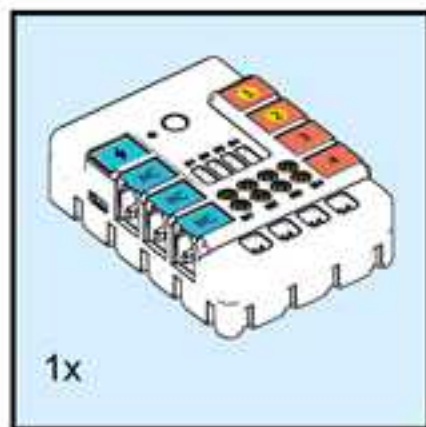


31

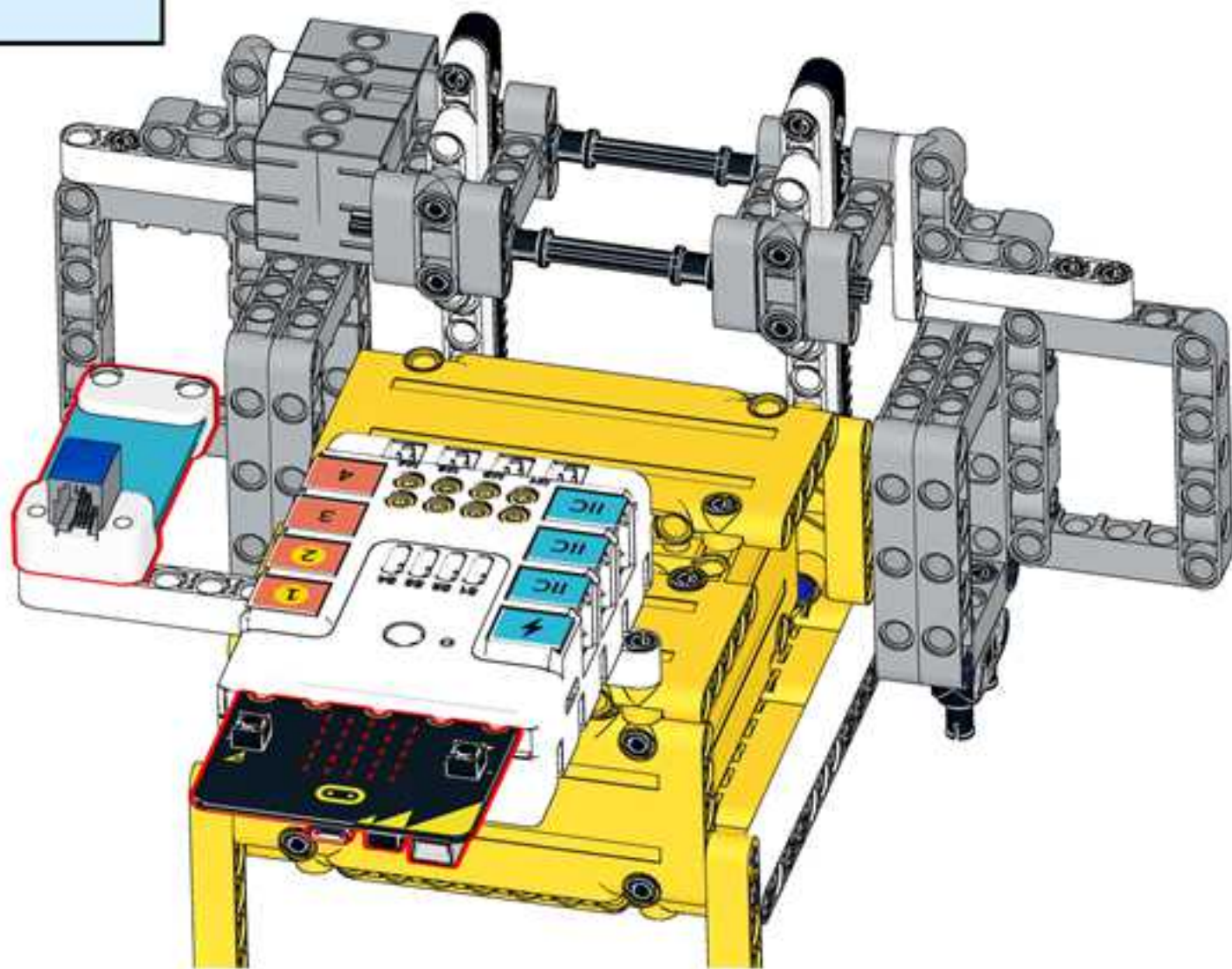
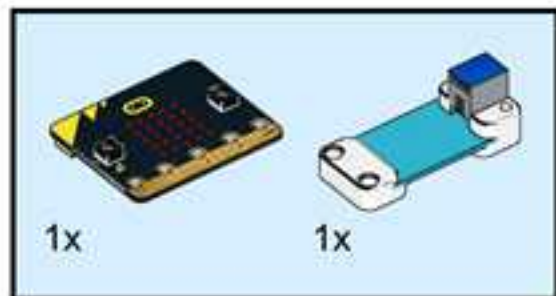




32



33



34

