



1x  
3713, 11



24x  
2780, 11



2x  
15100, 11



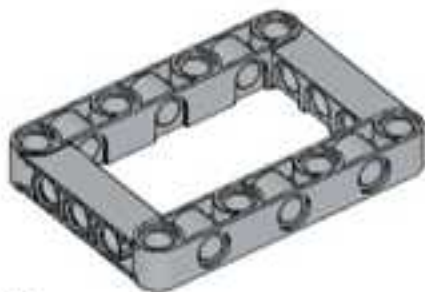
2x  
32002, 86



1x  
4519, 86



1x  
3649, 86



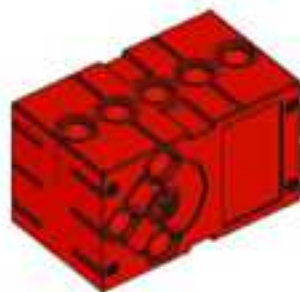
3x  
64179, 86



2x  
32526, 1



4x  
32278, 1



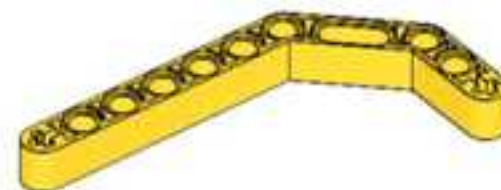
1x



4x  
6558, 7



4x  
40490, 3

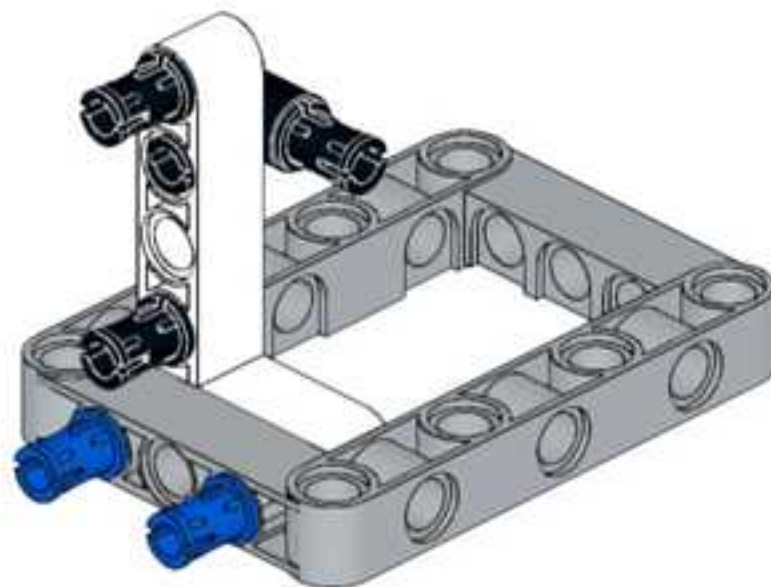
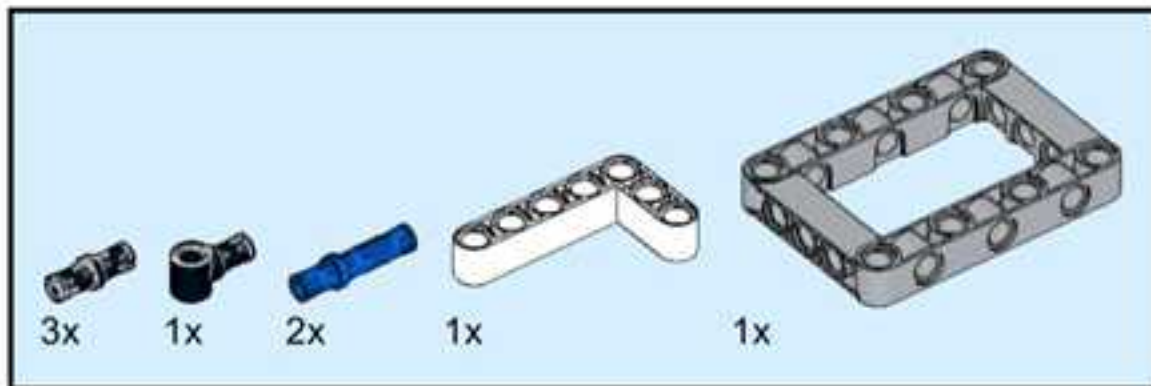


4x  
32009, 3

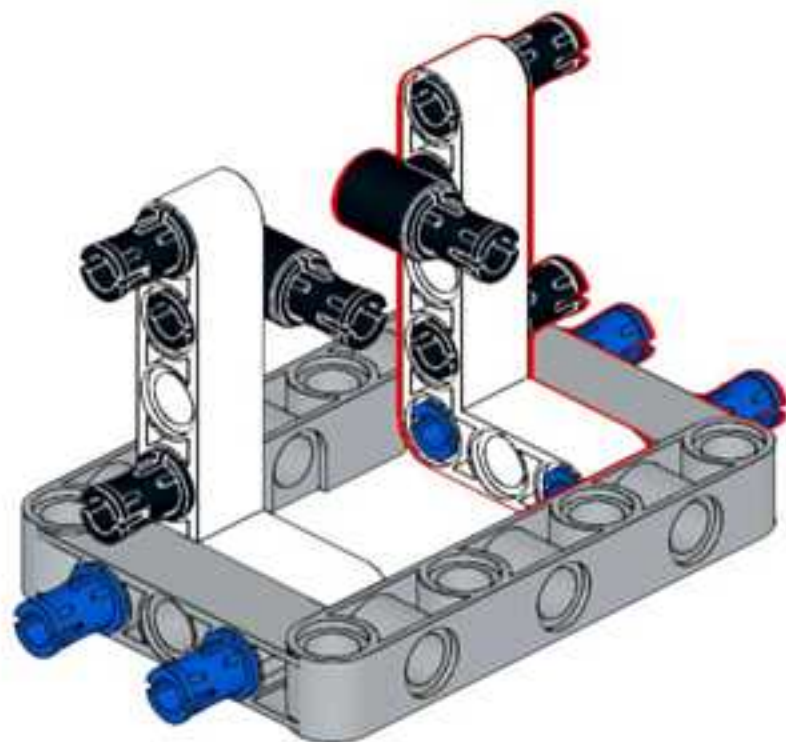
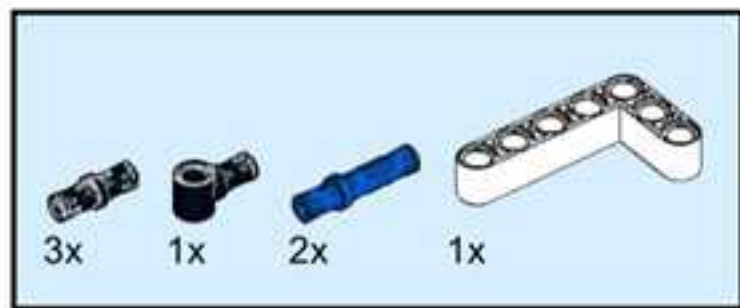


4x  
43093, 7

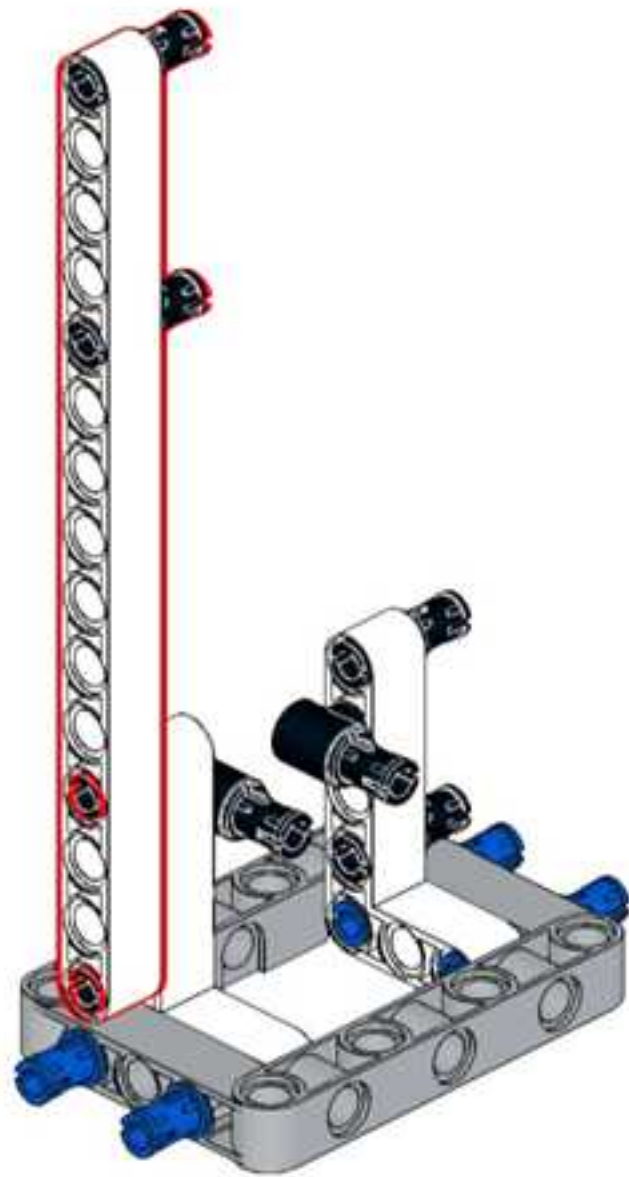
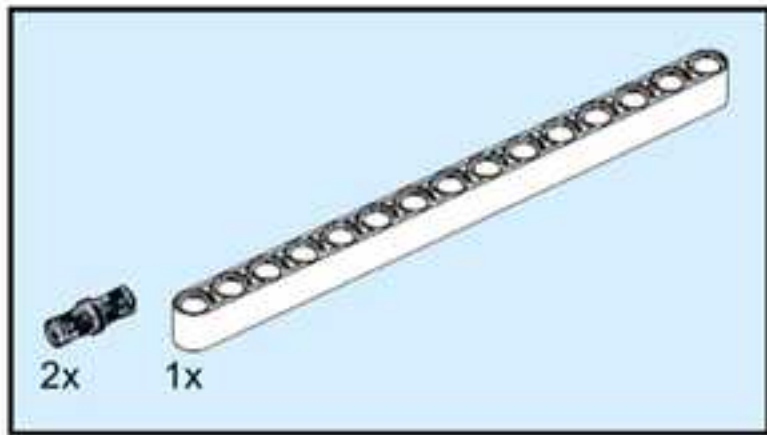
1



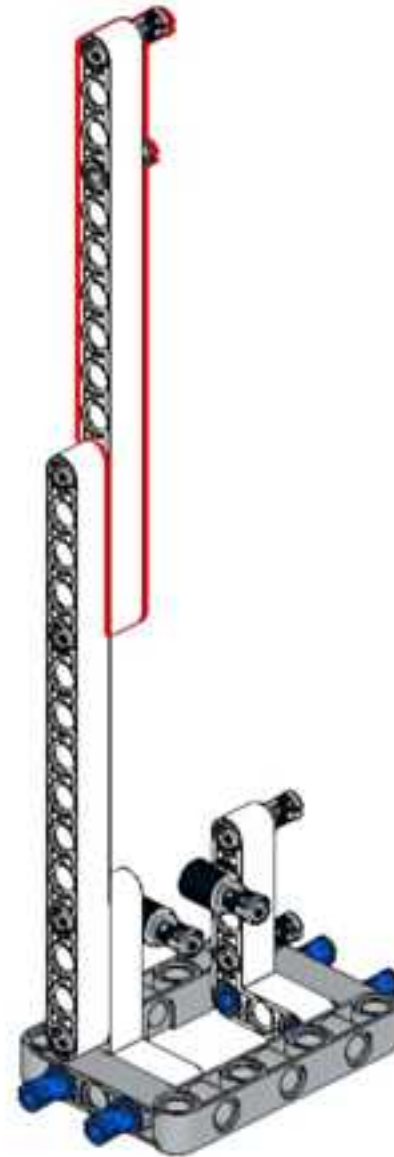
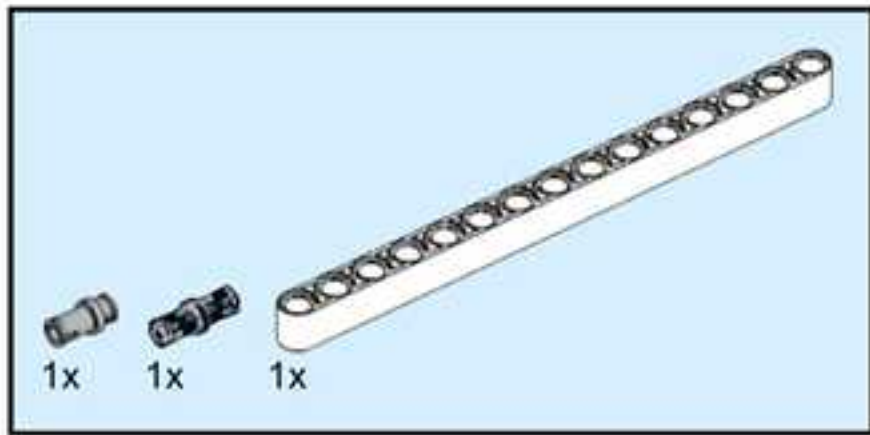
# 2



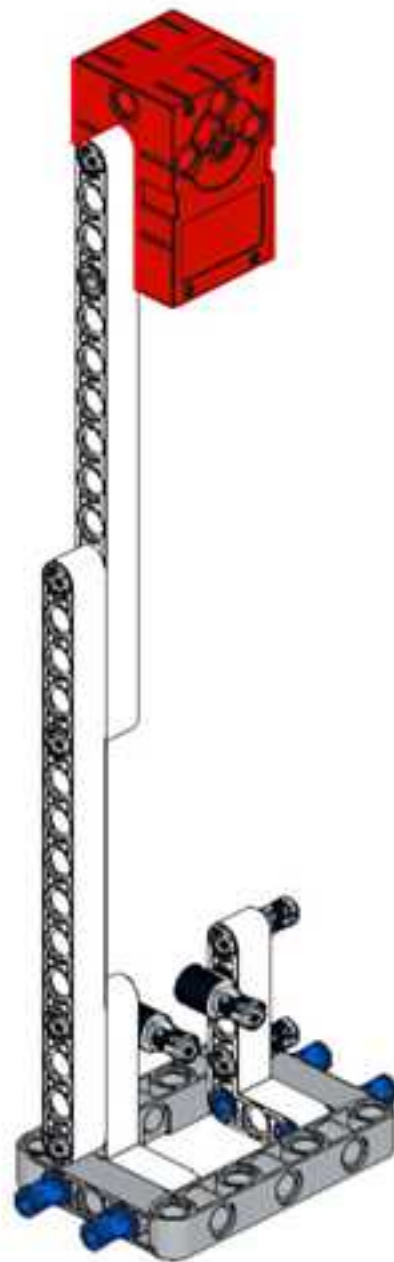
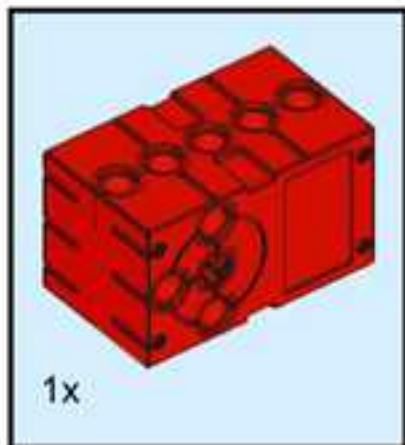
3



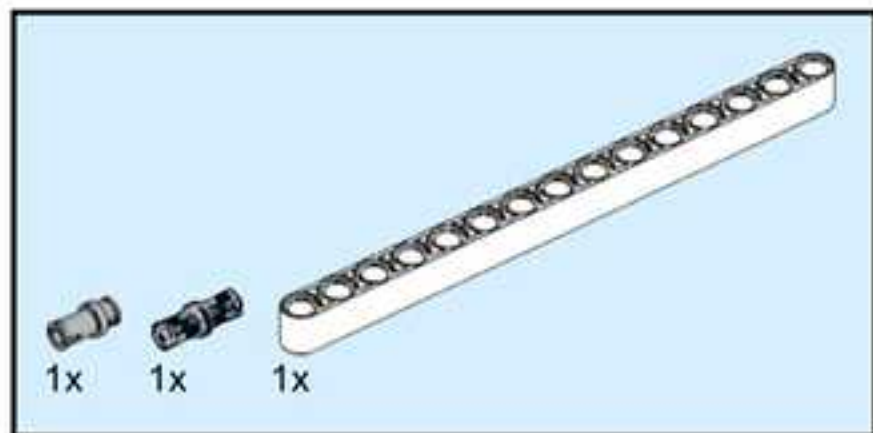
4



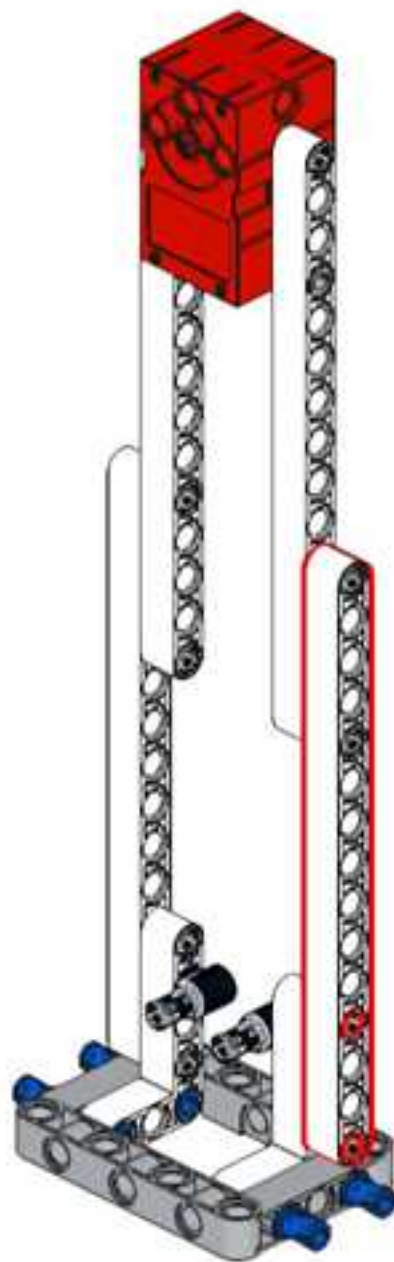
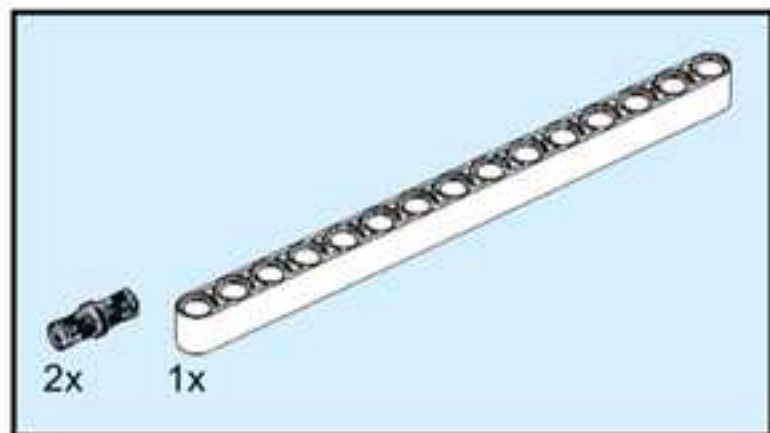
5



# 6

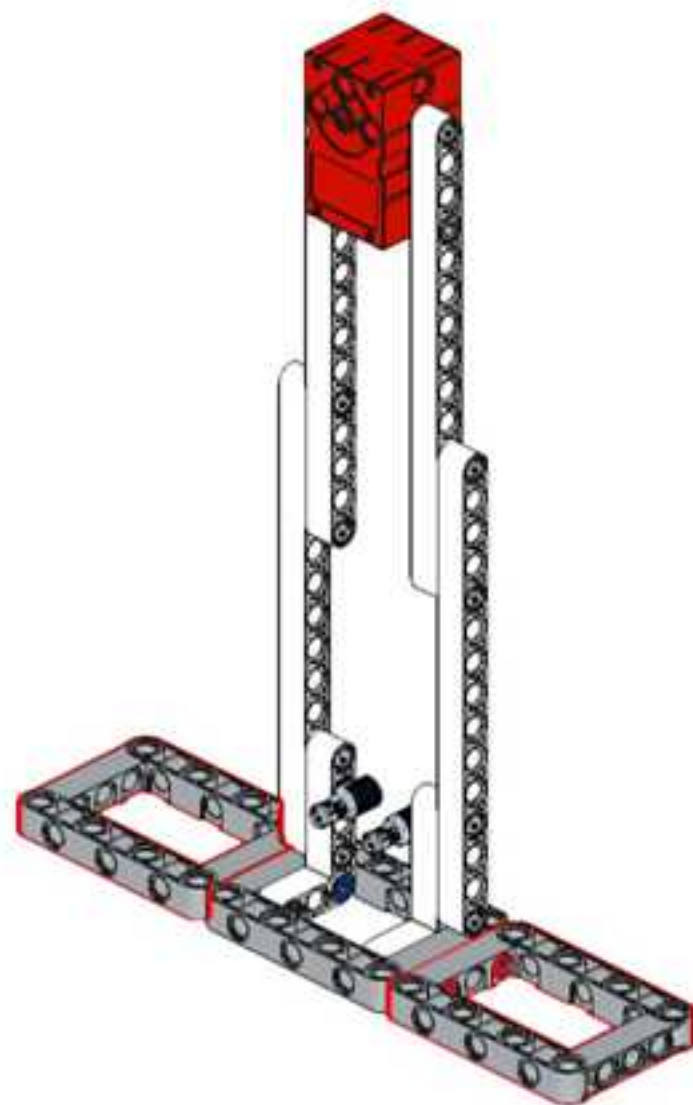
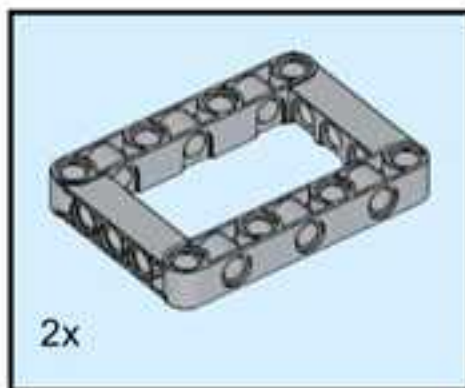


7

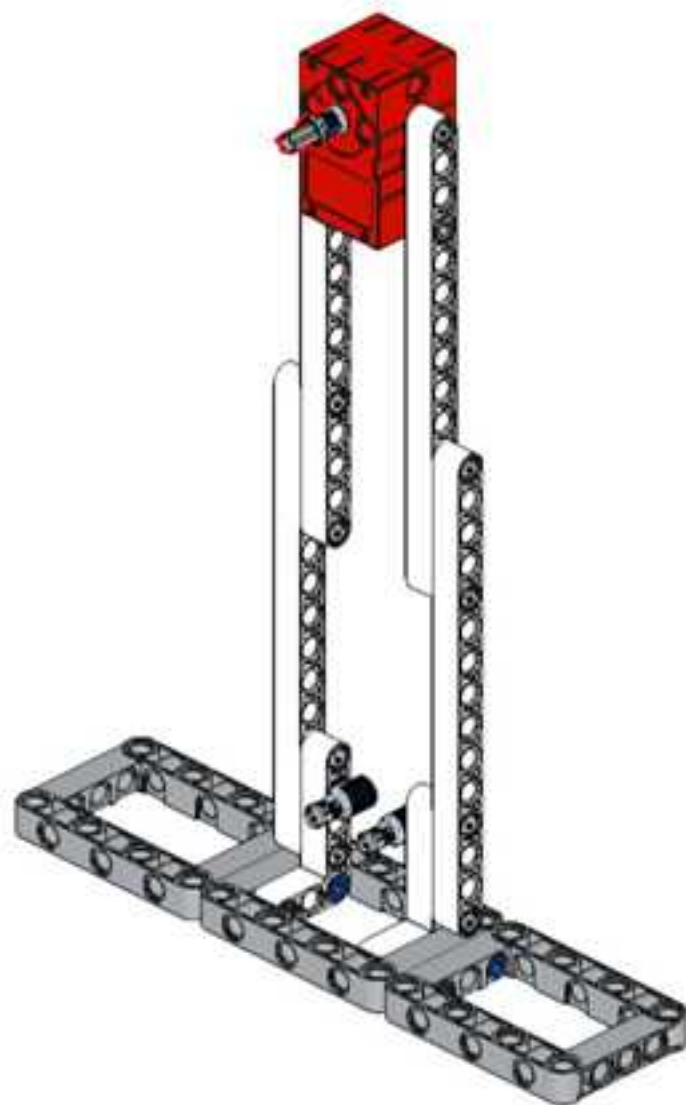
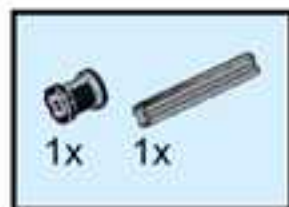




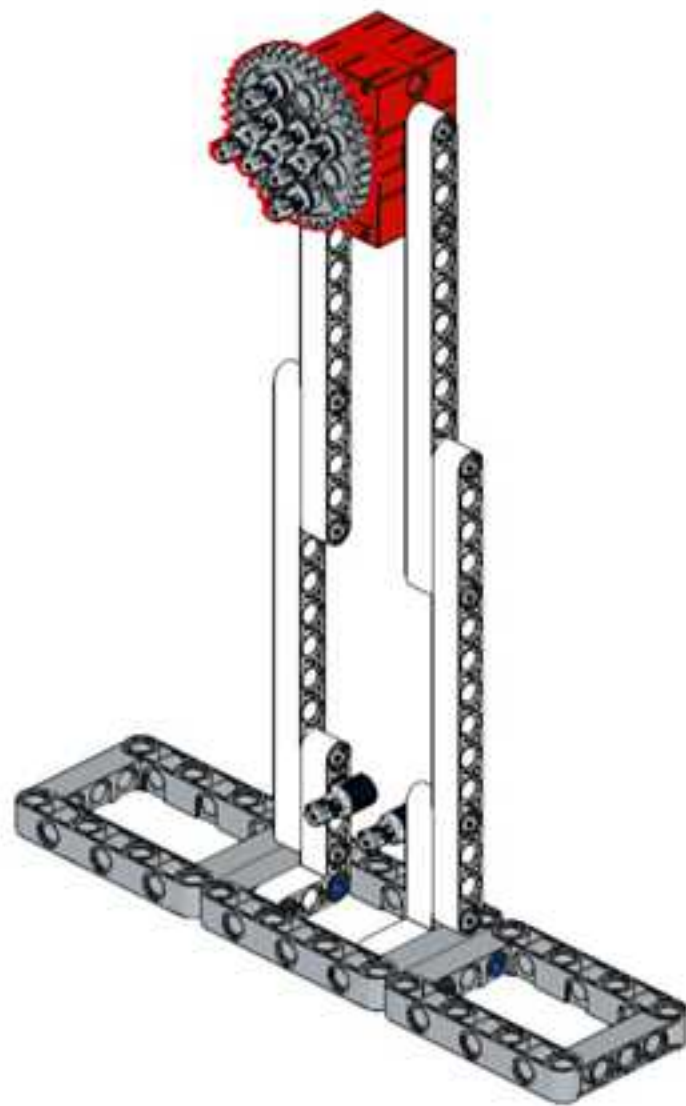
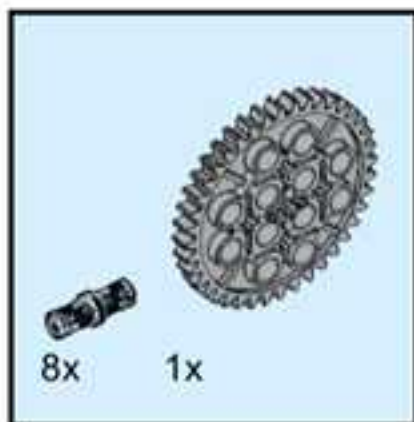
8



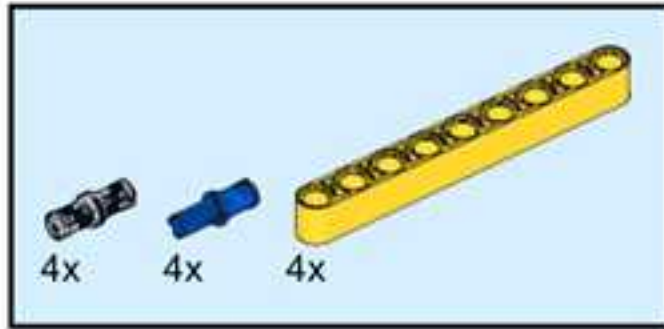
9



# 10



# 11



# 12

